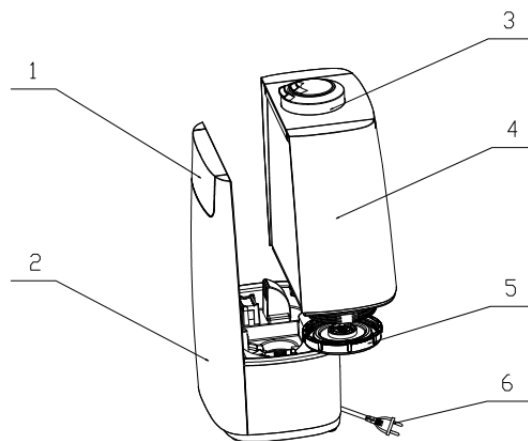


B-Sensy Humi Purifier NEW

(Manual - Handleiding - Mode d'emploi - Gebrauchsanleitung- Instrucciones de uso - Instruções de utilização - Istruzioni per l'uso - Návod k použití - Instrukcja obsługi- Εγχειρίδιο)



English p4, Nederlands p9, Français p14, Deutsch p19
Español p24, Italiano p29, Čeština p34, Slovenský p39, Polskie p44,
Ελληνικά p49



Parts: 1 – LED display 2 – Front panel 3 – Mist Nozzle 4 – Water tank 5 – Water tank cover 6 – Power cord	Onderdelen: 1 - LED-scherm 2 - Voorpaneel 3 - Mistsproeier 4 - Watertank 5 – Watertank dop 6 - Netsnoer	Pièces: 1 – Écran LED 2 – Face avant 3 – Sortie vapeur froide 4 – Réservoir d'eau 5 – Couvercle réservoir 6 – Cordon d'alimentation	Teile: 1 - LED-Anzeige 2 - Frontplatte 3 - Nebeldüse 4 - Wassertank 5 - Wassertankabdeckung 6 - Netzkabel
Partes: 1 - pantalla LED 2 - Panel frontal 3 - Boquilla de niebla 4 - Depósito de agua 5 - Tapa del depósito de agua 6 - Cable de alimentación	Parti: 1 – Schermo LED 2 – Pannelo Frontale 3 – Bocca di fuoriuscita del vapore 4 – Serbatoio d'acqua 5 – Coperchio del serbatoio 6 – Cavo di Alimentazione	Části: 1 - LED displej 2 – Přední panel 3 – Vývod páry 4 - Nádobna na vodu 5 - Uzávěr nádoby na vodu 6 – Napájecí kabel	Části: SK 1 - LED displej 2 - Predný panel 3 - Vývod páry 4 - Nádobna na vodu 5 - Uzáver nádoby na vodu 6 - Napájací kábel
CZEŠCI: 1 - Wskaźnik LED 2 - Panel przedni 3 - Dysza pary 4 - Zbiornik wodny 5 - Pokrywa zbiornika na wodę 6 - Kabel zasilający	Μέρη: 1 - Οθόνη LED 2 - Μπροστινό πάνελ 3 - Ακροφύσιο ομίχλης 4 - Δεξαμενή νερού 5 - Κάλυμμα δεξαμενής νερού 6 - Καλώδιο τροφοδοσίας		

Function and features

1 – Large humidifying capacity. 2 – Cool mist function 3 – With aroma function. 4 – Build-in negative ion to improve air quality. 5 – Auto mode / Night mode / Humidistat mode. 6 – 10 hours timer setting. 7 – Automatically stop working when lifting the water tank 8 – Automatically stop working when runs out of	1 - Grote Luchtbevochtigings-capaciteit . 2 - Cool mist-functie 3 - Met aroma-functie . 4 - Ingebouwd negatief ion om deluchtkwaliteit te verbeteren. 5 - Automatische modus / nachtmodus / hygrostaatmodus. 6 - 10 uur timerinstelling. 7 - Stop automatisch met werken bij het optillen van de watertank 8 – Stop automatisch met werken wanneer het water op	1 - Grande capacité d'humidification. 2 - Fonction brume fraîche 3 - Avec fonction arômathérapie. 4 - Ion négatif intégré pour améliorer la qualité de l'air. 5 - Mode Auto / Mode Nuit / Mode Humidification. 6 . Réglage de la minuterie jusque 10 heures. 7 - Arrêt automatique lorsque	1 -Große Befeuchtungskapazität . 2 - Kühlnebelfunktion 3 - Mit Aromafunktion . 4 - Eingebautes negatives Ion zur Verbesserung der Luftqualität. 5 - Auto-Modus / Nachtmodus / Luftfeuchtigkeitsmodus. 6 - 10 Stunden. 7 - Beim Anheben des Wassertanks automatisch aufhören zu arbeiten 8 - Stoppen Sie automatisch
---	--	---	--

water..	is.	vous enlevezle réservoir d'eau 8 - Arrête automatiquement de fonctionner en cas de manque d'eau.	die Arbeit, wenn das Wasser ausgeht.
1 - Gran capacidad de humidificación. 2 - Función de niebla fría 3 - Con función de aroma. 4 - Ion negativo incorporado para mejorar la calidad del aire. 5 - Modo automático / Modo nocturno / Modo humidistato. Configuración de temporizador de 6 a 10 horas. 7 - Deje de funcionar automáticamente al levantar el tanque de agua 8 - Deje de funcionar automáticamente cuando se quede sin agua.	1- Grande capacità di umidificazione 2- Funzione di vapore freddo 3- Funzione aggiunta Aroma 4- Diffusore di ioni negativi per purificare l'aria 5- Modalità Automatica / Notte / Controllo Umidità 6- Timer attivabile fino a 10 ore 7- Spegnimento automatico alla rimozione del serbatoio 8- Spegnimento automatico al termine del serbatoio	1 - Velká zvlhčovací kapacita. 2 - Funkcia chladnej hmly 3 - S arómovou funkciou. 4 - Zabudovaný negatívny ión na zlepšenie kvality ovzdušia. 5 - Automatický režim / Nočný režim / Vlhký režim. Nastavenie časovača 6 - 10 hodín. 7 - Automaticky prestaňte pracovať pri zdvíhaní nádrže na vodu 8 - Automaticky prestaňte pracovať, keď dôjde voda.	1 - Velká zvlhčovací kapacita. 2 - Funkce chladné mlhy 3 - S aroma funkcí. 4 - Vestavěný záporný ion pro zlepšení kvality vzduchu. 5 - Automatický režim / Noční režim / Vlhký režim. 6 - 10 hodin nastavení časovače. 7 - Automaticky přestat pracovat při zvedání vodní nádrže 8 - Automaticky přestat pracovat, když dojde voda
1 - Duża wydajność nawilżania. 2 - Funkcja chłodnej mgły 3 - Z funkcją aromatu. 4 - Wbudowany jon ujemny w celu poprawy jakości powietrza. 5 - Tryb automatyczny / Tryb nocny / Tryb Humidistat/ Ustawienie timera 6–10 godzin. 7 - Automatycznie przestaje działać podczas podnoszenia zbiornika wody 8 - Automatycznie przestaje działać, gdy zabraknie wody.	1 - Μεγάλη ικανότητα ύγρανσης. 2 - Λειτουργία Cool mist 3 - Με λειτουργία αρώματος. 4 - Ενσωματωμένο αρνητικό ιόν για βελτίωση της ποιότητας του αέρα. 5 - Αυτόματη λειτουργία / Λειτουργία νύχτας / Λειτουργία υγρασίας. 6-Ρύθμιση χρονοδιακόπτη10 ωρών. 7 - Σταματήστε να λειτουργεί αυτόματα όταν σηκώνετε τη δεξαμενή νερού 8 - Σταματήστε να λειτουργεί αυτόματα όταν εξαντλείται το νερό ..		

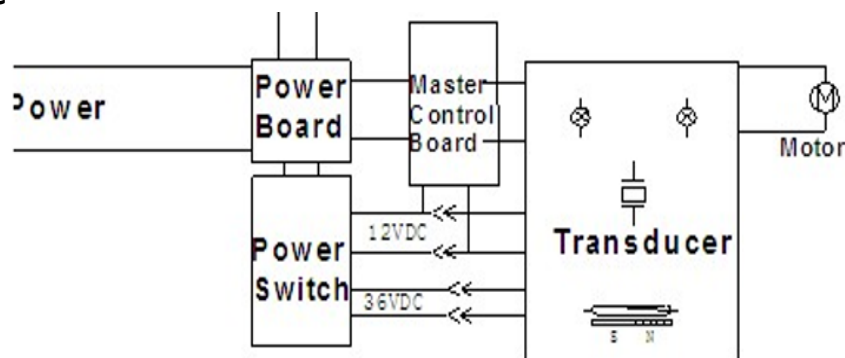
Thank you for choosing the Bo Jungle digital humidifier & air purifier; we are convinced that you will be fully satisfied with our product.

Please take a few minutes to carefully read through these instructions before using the product and keep them for future use.

TECHNICAL SPECIFICATIONS

Voltage	220 - 240V / 50-60 Hz
Power consumption	25 W
Technology	Ionization + HEPA filter
Applicable Area	80M3
Content of water tank	5.0 liter (can operate continuously for 17-24 hours)
Mist capacity	300 ml/h

CIRCUIT SCHEMATIC



IMPORTANT SAFETY INSTRUCTIONS – PLEASE READ THESE CAREFULLY:

- Before using the appliance for the first time, check if the electrical power supply voltage corresponds to the voltage that is mentioned at the bottom of the appliance.
- Always place the appliance out of the reach of children. Make sure the power cord is also out of the reach of children. Do not allow them to play with the appliance.
- Always ensure there is water in the tank before switching the device on. Never add water directly into the base of the device.
- Ensure that the unit is placed on a flat and dry surface and that there are no heat sources such as a window, radiator or furnace in the direct vicinity of the appliance.
- Avoid spraying vapour onto furniture or electrical appliances so as not to damage them.
- Never immerse the device in water or any other liquid. Never place it directly under the tap.
- Avoid getting water into the base of the appliance as this might damage the internal parts and cause a danger of electrocution. For this reason, do not move the device whilst there is a lot of water in the tank, as the water might overflow and enter the base.
- Never add any other products or substances to the water in the appliance.
- Any modification to this unit without permission of the manufacturer might prove dangerous.
- While the unit is operating, touch only the control panel. Do not touch the water in tank.
- ALWAYS ensure that the power cord is unplugged before cleaning, moving, emptying or filling the appliance.
- Always operate the appliance in normal room temperatures, avoid using it in cold environments. If the water in the device has frozen, do not use it until the ice has been cleared.
- Preferably use boiled or distilled water in the humidifier. Do not fill the tank with water of above 40°C to avoid discoloration or distortion.
- Unplug the unit when it is not to be used for a longer period of time.
- Do not switch the machine on or off with a wet hand, otherwise there might be a risk of electric shock.



IMPORTANT

Children or persons with physical, sensory or mental impairments should not be allowed to use this appliance unless they are being supervised by an adult who is responsible for their safety.

HEPA FILTER

This device contains a HEPA filter (High Efficiency Particulate Air), which retains 99,99% of all particles of pollutants and allergens in the air that have a size of at least 0.3 µm. It can be used to reduce the effects of or to filter the air from pollutants such as dust; chemical substances; tobacco smoke; odours such as odours from pets or paint; allergens (animal dandruff, dust mite, etc.) as well as microorganisms.

AROMA PAD TRAY

This device is equipped with an aroma pad tray. In case you want to diffuse essential oils, such as lavender, eucalyptus, etc. while using the humidifier, please sprinkle some drops of essential oil on the supplied piece of foam, or on a tissue or piece of cotton and insert it into the aroma pad tray.

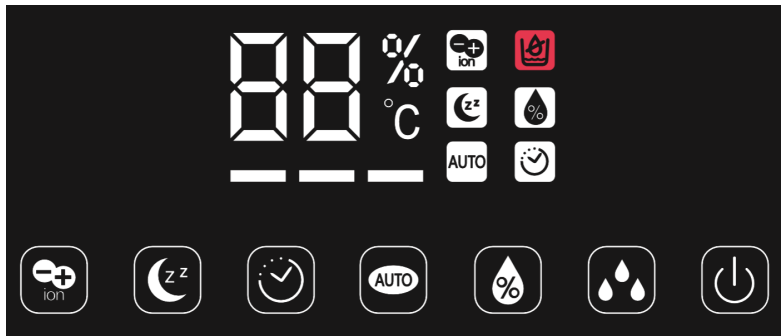
NEVER add essential oils to the water inside the tank, as this will severely damage the machine!

OPERATING INSTRUCTIONS

Warning: before filling the tank of the device with water, turn the power off and unplug it.

1. The working environment for humidifier is when temperature is between 5 to 40 degrees Celsius, and relative humidity is lower than 80%RH.
2. Use clean water lower than 40 degree (pure water is recommended)
3. Clean water tank and water flume when use again after a long time.
4. If the machine is used with water filter, it is recommend to soak the filter for 24 hours before 1st use.

BUTTONS INSTRUCTIONS



When Symbol light “%” is on, the digital data means environmental humidity .

When Symbol light “°C” is on, the digital data means environmental temperature.

When Symbol light “H” is on, means the device has set timer, press timer key to see the remaining hours.

Humidity data “%” will be on for 10 seconds , and then temperature data “°C” will be on for 5 seconds , and so repeats .



Power: Plug in the power, there is a beep sound, and the machine comes to the standby mode. Once press this button, the machine start to work with LED display on. Press this button again, the machine stops working and come to the standby mode.



Negative Ion : Press this button to start the negative ion function, press again to stop negative ion function ◦



Night mode : Press this button the machine start night mode, all display will be dim (the sleeping mode icon in the display will be dim in 20 seconds). Press any key to stop the night mode, and display recover.



Timer : Press this key to start timer setting function with setting time circle of 1-10 hours, machine will stop working automatically when setting timer reached.



Humidistat : Press this key to set the desirable humidity; Machine will stop working once humidity reached setting humidity. Humidity can be adjusted from 40%~80%RH. When machine start working, it will keep humidifying for 2 minutes no matter the room humidity reaches the setting humidity or not.



AUTO mode : Press this button, the machine enter an automatic control mode. This model maintains the relative humidity at 55%~68%. Machine will choose the best humidifying method according to different room ambient humidity.



Mist Level : Steam volume can be changed amount 1 estate, 2 estates, and 3 estate by pressing this key . Smallest steam for 1 estate, biggest steam for 3 estates

OPERATION PROCEDURE

1. Get the water tank out of the machine, unscrew the lid and fill the tank with water, then screw the lid well. Put the water tank on the machine bodysteadily.
2. Inspect whether the mist outlet nozzle and handle cover are assembled well on the water tank.
3. Plug in the power, and then press the on/off switch, the machine starts to work.
4. Follow below steps to use aroma function:
 - Take out aroma box
 - Use water-soluble aroma oil to drop into the sponge
 - Put the aroma box back into the machine, the aroma function will be on automatically when turn on the machine
 - To stop the aroma function or when the machine is not in use for a long time, take out the sponge in the aroma box and clear it, put it back to the machine.

Warning: before replacing the filter, turn the power off and unplug the device.

MAINTENANCE

Always make sure the device is unplugged before cleaning it.

1. Transducer
 - The water quality in someplace is too hard so that the transducer surface will be easy to scale formation, The users need to clean transducer with cleaning agent .
 - add little cleaning agent on the transducer surface (More or less depends on the scale), then infuse water into the sink to soak the sink fully for 10-15 min.
 - Clean with brush until scale disappear.
 - Clean twice with water
 - Dont clean transducer by any metal or stiffness material or scrape it to avoid any damage
2. Water tank inside
 - Clean water tank inside and water sink twice per week at least when use machine frequently
 - Use soft cloth wipe it when water tank side has scale
 - There will be some dirt stick to the tank inside wall, which can be cleaned with soft scour, Clear the scour completely
 - Don't put acid, alkalescency, blencher scour into water tank to avoid damage
3. Water sink inside
 - Take out the water in sink, Clean the scale by brush, then wiped by damp cloth
 - Flush it by water
4. Air filter

It is recommended to replace the air filter every half year to one year depends on the actual environmental conditions. Press the air filter cover, the cover will pop out, take out the air filter and replace the new one. Please wrap the old filter properly to avoid secondary pollution.

Please remember:

- Check the voltage carefully to ensure your home power voltage fits the product
- Ensure the plug exactly inserts to the right socket, and only for the plug without others, Make sure well contact.
- Take out the plug with hand instead of dragging the wire.
- Don't use the product in wet environment, such as bathhouse and bathroom, it will cause electric shock and fire.
- Don't put your hand and appliances on the product to avoid purl or damaging.
- Don't clean your machine during working or just after working time to avoid hot water or parts to hurt you.
- Remove the water tank before move the device.
- Don't use the machine exploring to sunshine or closing to heater
- Please use the wire bought from seller service centre to replace the damaged wire.
- Please take off the plug when you clean and wash the machine, or leave it unused for a long time
- Don't touch the plug or wire with the wet hands to avoid creepage
- Don't put sundries into the machine
- Don't clean the water sink when the water is still hot.
- Don't touch the warm mist closely .
- Keep the machine out of reach of children.
- When the machine is damaged or couldn't work normally, Please take it to our service

STORAGE

1. Set it at the firm, flat place
The humidifier should be placed at horizontal place and keep it steady.
2. Set it far away from the heat source
The humidifier should be far away from the heat source, such as the stoves or fire place. Avoiding it being sun burned directly.
3. Set it far away from the furniture and electronic appliance.
The mist spraying from the humidifier should not be face to the furniture and the electronic appliance, which directly to avoid being damaged with damp.

COMMON ISSUES

If the machine does not work appropriately, please check as following before turn to maintenance service.

Problem	Possible reasons	Solutions
No steam	Check plug	Plug into socket
	Check power switch	Turn on power switch
	No water in tank	Add water
	less water in tank	Add water until enough
Peculiar smell steam	New machine	Take off tank cover, place the water tank in cool and dry place for 12 hours
	Too dirty water, Or water in tank too long time	Clean water tank, Replace clean water
Noise	Tank in incorrect position	Put the tank in correct position
	Less water in tank	Add water
	Uneven level for machine	Place it on even flat or ground
Steam out from outlet surrounding	Clearance between steam outlet and water tank	Sink the steam outlet cap in water and use it again

DEFECT OR DAMAGE

- In case you suspect that your appliance has a defect or malfunction, if it is not working properly, or if it makes an abnormal sound or emits an odour while in operation, or when the appliance itself or the power cord are damaged, call the after-sales service. Do not use it until it has been checked by a professional. Never dismantle it yourself.
- In accordance with European regulations, waste electronic and electrical equipment (WEEE) cannot be disposed of as regular household waste. It must be taken to a specialized collection point in your neighbourhood.



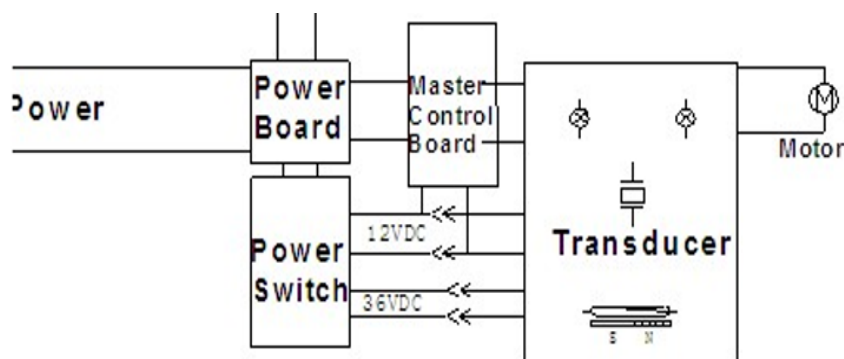
Made In China – Bo Jungle - Vox Populi BVBA – Asterdreef 13 -9040 GENT – BELGIUM
www.bojungle.eu – info@bojungle.eu – Tel: +32 54 240 331 – Fax: +32 9 270 01 80

Hartelijk dank om voor de digitale luchtbevochtiger en luchtreiniger van Bo Jungle te kiezen, we zijn ervan overtuigd dat u veel plezier zult beleven aan dit product. Gelieve even de tijd te nemen om deze handleiding zorgvuldig door te nemen alvorens dit product in gebruik te nemen en ze zorgvuldig te bewaren zodat u ze later, indien nodig, opnieuw kunt raadplegen.

TECHNISCHE GEGEVENS

Netspanning	220V / 50-60 Hz
Stroomverbruik	35 W
Toepasselijk gebied	80M3
Inhoud van de watertank	6 liter (kan continu werken gedurende 17-24 uur)
Capaciteit luchtbevochtiging	300 ml/u

STROOM SCHEMA



BELANGRIJKE VEILIGHEIDSINSTRUCTIES - LEES DEZE ZORGVULDIG:

- Alvorens het apparaat voor de eerste keer te gebruiken, controleer of de netspanning overeenkomt met de spanning die vermeld staat onderaan het toestel.
- Plaats het apparaat altijd buiten het bereik van kinderen. Zorg er ook voor dat de stroomkabel zich buiten het bereik van kinderen bevindt. Laat hen nooit met het toestel spelen.
- Zorg er steeds voor dat er water in de tank zit alvorens u het apparaat inschakelt. Giet nooit water rechtstreeks in de basis van het apparaat.
- Zorg dat het toestel steeds op een vlakke en droge ondergrond staat en dat er zich geen warmtebronnen zoals een raam, radiator of oven in de directe nabijheid van het toestel bevinden.
- Zorg ervoor dat de damp niet terechtkomt op meubels of elektrische apparaten om beschadiging te voorkomen.
- Dompel het apparaat nooit onder in water of een andere vloeistof. Plaats het nooit rechtstreeks onder de kraan.
- Voorkom dat er water in de basis van het apparaat terechtkomt, aangezien dit de interne onderdelen kan beschadigen en een gevaar voor elektrocutie met zich meebrengt. Verplaats om deze reden ook het apparaat niet terwijl er veel water in de tank zit, aangezien het water in de basis zou kunnen lopen.
- Voeg nooit andere producten of stoffen toe aan het water in het apparaat.
- Het kan gevaarlijk zijn om wijzigingen toe te brengen aan dit apparaat zonder toestemming van de fabrikant.
- Raak enkel het controlepaneel aan terwijl het apparaat aan staat. Raak het water in de tank niet aan.
- Zorg er ALTIJD voor dat de stroomkabel losgekoppeld is alvorens het toestel te reinigen, verplaatsen, bij te vullen of leeg te maken.
- Gebruik het apparaat altijd bij een normale kamertemperatuur, gebruik het niet in een koude omgeving. Als het water in het apparaat bevroren is, zet het toestel dan niet aan tot het ijs verwijderd is.
- Gebruik bij voorkeur gekookt of gedestilleerd water in de luchtbevochtiger. Vul de tank niet met water van meer dan 40°C om verkleuring of vervorming te voorkomen.
- Trek de stroomkabel uit wanneer het toestel gedurende een langere tijd niet gebruikt wordt.

- Schakel het toestel niet aan of uit met natte handen om geen elektrische schok te krijgen.



BELANGRIJK

Kinderen of personen met verminderde fysieke, sensorische of mentale vaardigheden mogen dit apparaat enkel gebruiken wanneer ze onder toezicht staan van een volwassene die instaat voor hun veiligheid.

HEPA-FILTER

Dit apparaat bevat een HEPA-filter (High Efficiency Particulate Air), die 99,99% van alle deeltjes van verontreinigende stoffen en allergenen in de lucht met een grootte van minstens 0,3 µm opvangt. Het kan gebruikt worden om de effecten van verontreinigende stoffen te verminderen of ze uit de lucht te filteren. Deze kunnen bv. zijn: stof; chemische stoffen; tabaksrook; geuren van bv. huisdieren of verf; allergenen (dierlijke huidschilfers, huisstofmijt, etc.) en micro-organismen.

SCHUIFJE VOOR AROMATHERAPIE

Dit toestel heeft een schuifje voor aromatherapie. Indien u essentiële oliën, zoals lavendel of eucalyptus en dergelijke, wil verstuuven terwijl u de luchtbevochtiger gebruikt, sprenkel deze dan op het meegeleverde stukje schuimrubber, op een tissue of watje en leg deze in het schuifje.

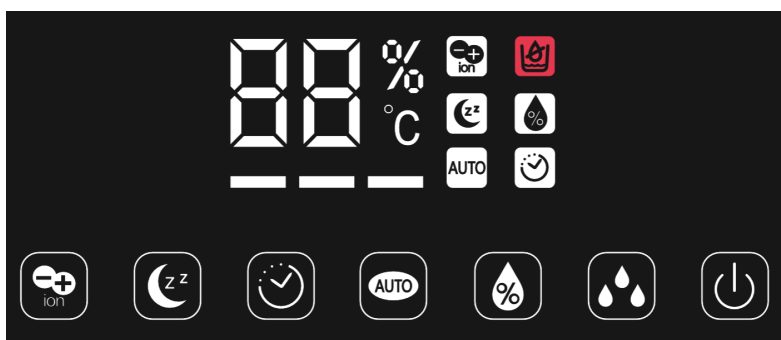
Voeg **NOOIT** essentiële oliën toe aan het water in de tank, aangezien dit het toestel ernstig kan beschadigen!

GEBRUIKSAANWIJZING

Waarschuwing: schakel steeds het toestel uit en haal de stroomkabel uit het stopcontact alvorens het te vullen.

1. De werkomgeving voor luchtbevochtiger is wanneer de temperatuur tussen 5 en 40 graden Celsius is en de relatieve vochtigheid lager dan 80% RH is.
2. Gebruik schoon water lager dan 40 graden (puur water wordt aanbevolen)
3. Reinig het waterreservoir en de watergoot als u het na een lange tijd opnieuw gebruikt.
4. Als de machine wordt gebruikt met waterfilter, dan wordt het aanbevolen om het filter 24 uur te laten weken voor het eerste gebruik.

KNOPPEN INSTRUCTIES



Als het symboollampje " %" brandt , betekent de digitale data de omgevingsvochtigheid .

Als het symboollampje "°C" brandt , betekent de digitale data de omgevingstemperatuur .

Als het symboollampje " H " brandt , betekent dit dat het apparaat een timer heeft ingesteld, druk op de timertoets om de resterende uren te zien.

Vochtigheidsgegevens " %" zullen gedurende 10 seconden aanstaan , en dan zullen temperatuurgegevens "°C " 5 seconden aan blijven , en zal nadien dus herhaald worden



Voeding: sluit de stroom aan , er klinkt een pieptoon en de luchtbevochtiger komt in de standby modus. Zodra u op deze knop drukt, begint de machine te werken met LED-display aan. Druk nogmaals op deze knop, de machine stopt met werken en komt in de standby-modus.



Negatieve ionen : Druk op deze knop om de negatieve ionenfunctie te starten, druk nogmaals om de negatieve ionenfunctie te stoppen.



Nachtmodus : Druk op deze knop om de nachtmodus te starten , alle weergave is gedimd (het pictogram van de slaapmodus op het display wordt in 20 seconden gedimd). Druk op een willekeurige toets om de nachtmodus te stoppen en herstel de weergave.



Timer : Druk op deze knop om de timer-functie te starten met het instellen van de tijd (van 1 t.e.m. 10 uur,) de bevochtiger stopt automatisch met werken als de ingestelde tijd bereikt is.



Humidistat : Druk op deze toets om de gewenste vochtigheid in te stellen; de bevochtiger stopt met werken zodra de vochtigheid de ingestelde vochtigheid heeft bereikt . De luchtvochtigheid kan worden aangepast van 40% ~80% RH. Wanneer de luchtbevochtiger begint te werken, blijft deze gedurende 2 minuten vochtig, ongeacht of de ruimteluchtvochtigheid de ingestelde luchtvochtigheid heeft bereikt of niet.



AUTO mode : Druk op deze knop, de luchtbevochtiger gaat naar een automatische controlemodus. Dit model handhaaft de relatieve vochtigheid op 55% ~ 68%. De luchtbevochtiger kiest de beste bevochtigingsmethode op basis van de verschillende luchtvochtigheid in de kamer.



Mist Level : Hetstoomvolume kan worden gewijzigd met 3 verschillende niveaus door op deze toets te drukken. Kleinste stoom voor niveau 1, grootste stoom voor niveau 3.

WERKING PROCEDURE

1. Haal de watertank uit het toestel, draai het deksel los en vul de tank met water en schroef het deksel vervolgens goed vast. Zet het waterreservoir stevig op de luchtbevochtiger.
2. Controleer of het neveluitlaatmondstuk en de hendelafdekking goed op de watertank zijn gemonteerd.
3. Sluit de stroom aan en druk vervolgens op de aan / uit-schakelaar , de luchtbevochtiger begint te werken.
4. Volg onderstaande stappen om de aromafunctie te gebruiken:
 - o Haal de aromadoos eruit
 - o Gebruik in water oplosbare aroma-olie om in de spons te vallen
 - o Zet de geur inbouwdoos in de machine, zal het aroma functie automatisch inschakelen wanneer de luchtbevochtiger aanstaat
 - o Om de aromafunctie te stoppen of wanneer het apparaat lange tijd niet wordt gebruikt, haalt u de spons uit de aromabox en maakt u deze schoon en plaatst u deze terug in de machine.

Waarschuwing: Zet de stroom uit en trek de stekker van het apparaat uit het stopcontact alvorens de filter te vervangen.

ONDERHOUD

Zorg er altijd voor dat het apparaat is losgekoppeld voordat u het reinigt.

1. Transducer

- De waterkwaliteit kan te hard zijn op sommige plekken waardoor de transducer zijn formatie verliest. De gebruikers moeten dan de transducer reinigen met een schoonmaakmiddel.
- een klein beetje schoonmaakmiddel op het oppervlak van de transducer (hangt min of meer af van de schaal) en giet dan water in de tank om de watertank 10-15 minuten volledig te laten weken.
- Reinig met een borstel totdat de kalk verdwijnt.
- Maak tweemaal schoon met water
- Reinigt de transducer niet met metalen of harde materialen om beschadiging te voorkomen

2. Watertank binnen

Reinig de watertank binnenin en het zinkt het water tweemaal per week, indien de bevochtiger vaak wordt gebruikt.

Gebruik een zachte doek en veeg het schoon als de kant van de watertank kalk heeft.

Er zal wat vuil vasthouden aan de binnenwand van de tank, die kunnen worden gereinigd met zachte schuren.

Doe geen zure, alkalische, blencherschuurmiddelen in het waterreservoir om schade te voorkomen

3. Water zinkt binnen

Haal het water uit de tank, reinig de weegschaal met een borstel en veeg vervolgens af met een vochtige doek.

Spoel het door met water.

4. Luchtfilter

Het wordt aanbevolen om het luchtfilter elk half jaar tot een jaar te vervangen, afhankelijk van de werkelijke omgevingsomstandigheden. Druk op het luchtfilterdeksel, het deksel springt eruit, haal het luchtfilter eruit en vervang het met een nieuwe. Wikkel het oude filter goed om secundaire vervuiling te voorkomen.

Vergeet niet:

- Controleer de spanning zorgvuldig om er zeker van te zijn dat de netspanning in uw huis bij het product past
- Zorg ervoor dat de stekker precies in het juiste stopcontact steekt, en alleen voor de stekker zonder andere, zorg voor goed contact.
- Haal de stekker er met de hand uit in plaats van met de draad te slepen.
- Gebruik het product niet in natte omgeving, zoals badhuis en badkamer, dit kan elektrische schokken en brand veroorzaken.
- Leg uw hand en apparaten niet op het product om averechts of beschadigen te voorkomen.
- Reinig uw apparaat niet tijdens het werk of net na de werktijd om te voorkomen dat heet water of onderdelen u pijn doen.
- Verwijder het waterreservoir voordat u het apparaat verplaatst.
- Gebruik de luchtbevochtiger niet in zicht van de zon of dichtbij de verwarming
- Gebruik de draad gekocht bij het servicecentrum van de verkoper om de beschadigde draad te vervangen.
- Trek de stekker uit wanneer u de luchtbevochtiger schoonmaakt, of het apparaat na een lange tijd niet gebruikt
- Raak de plug of draad niet aan met natte handen om beschadigen te voorkomen
- Stop geen diversen in het apparaat
- Houd de machine buiten het bereik van kinderen.
- Als de machine beschadigd is of niet normaal kan werken, breng hem dan naar onze service

OPSLAG

1. Zet hem op een stevige, vlakke plek

De luchtbevochtiger moet op een horizontale plaats worden geplaatst en moet stabiel blijven.

2. Plaats hem ver weg van de warmtebron

De luchtbevochtiger moet ver verwijderd zijn van de warmtebron, zoals kachels of de open haard. Leg het niet in zicht van de zon.

3. Plaats het ver weg van het meubilair en elektronische apparaten

De nevel die uit de luchtbevochtiger spuit, mag niet naar het meubilair en elektronische apparaten worden gericht, om te voorkomen dat het met vocht wordt beschadigd.

VAAK VOORKOMENDE PROBLEMEN

Abnormaal symptoom	Oorzaak	Actie
Lampje werkt niet, geen luchtfiltering, geen stoom	<ul style="list-style-type: none"> - De stekker zit niet goed in - De schakelaar staat niet aan 	<ul style="list-style-type: none"> - Steek de stekker goed in - Zet de stroomschakelaar aan
Lampje aan, wel luchtfiltering, geen stoom	<ul style="list-style-type: none"> - Er zit geen water in de tank - De automatische hygrostaat is niet ingeschakeld - De vlotter voor het waterniveau is niet naar beneden 	<ul style="list-style-type: none"> - Vul de watertank - Schakel de automatische hygrostaat in - Duw de vlotter naar beneden
De stoom stinkt	<ul style="list-style-type: none"> - Nieuw toestel - Het water in de tank is niet schoon 	<ul style="list-style-type: none"> - Open de watertank en laat ze gedurende 12 uur open staan - Vervang het water in de tank
Lampje aan, geen luchtfiltering, geen stoom	<ul style="list-style-type: none"> - Er zit te veel water in de basis 	<ul style="list-style-type: none"> - Giet wat water uit de basis van het toestel - Schroef de dop van de watertank goed vast
Er komt niet veel stoom uit het toestel	<ul style="list-style-type: none"> - Er zit te veel kalkafzetting op de omvormer - Het water is vuil of zit al te lang in de tank 	<ul style="list-style-type: none"> - Maak de omvormer schoon - Vervang het water in het toestel

GEBREKEN OF SCHADE

- Bel de dienst-na-verkoop wanneer u vermoedt dat uw toestel defect is of niet goed werkt, wanneer het abnormale geluiden maakt of abnormale geuren uitstoot, of wanneer het toestel zelf of de stroomkabel beschadigd zijn. Gebruik het niet tot het nagekeken is door een professional. Demonteer het nooit zelf.
- Volgens de Europese regelgeving mogen afgedankte elektrische en elektronische apparaten (AEEA) niet bij het gewone huisvuil. Breng ze naar een gespecialiseerd ophaalpunt in uw buurt.



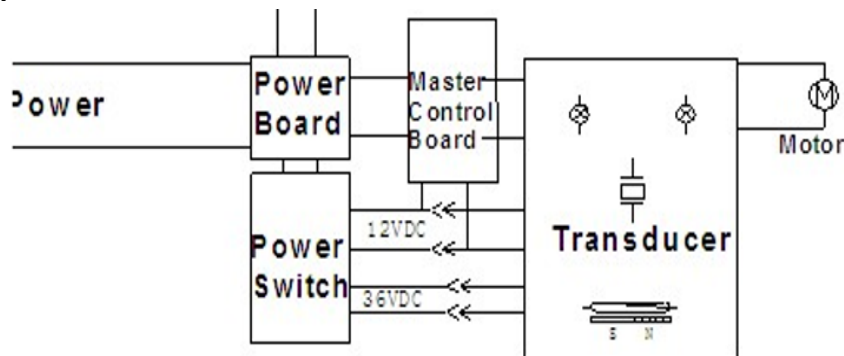
Gemaakt in China – Bo Jungle - Vox Populi BVBA – Asterdreef 13 -9040 GENT – BELGIË
www.bojungle.eu – info@bojungle.eu – Tel: +32 54 240 331 – Fax: +32 9 270 01 80

Merci d'avoir choisi l'humidificateur digital et le purificateur d'air de Bo Jungle. Nous sommes convaincus que vous serez entièrement satisfaits de notre produit. Nous vous prions de prendre quelques minutes pour lire ce mode d'emploi avant d'utiliser l'appareil et de le conserver pour que vous puissiez le consulter en cas de besoin ultérieur.

SPÉCIFICATIONS TECHNIQUES

Voltage	220 à 240 V / 50 à 60 Hz
Ion de consommation d'énergie	2.5 W
Zone applicable	80M3
Contenu du réservoir d'eau	5.0 litre (peut fonctionner en continu pendant 17 à 24 heures)
Capacité d'évaporation	300 ml / h

SCHEMA DU CIRCUIT



CONSIGNES DE SÉCURITÉ IMPORTANTES – A LIRE ATTENTIVEMENT:

- Avant d'utiliser l'appareil pour la première fois, vérifiez si le voltage de l'alimentation électrique correspond au voltage mentionné sous l'appareil.
- Placez toujours l'appareil hors de portée des enfants. Assurez-vous que le câble d'alimentation se trouve également hors de portée des enfants. Ne les laissez pas jouer avec l'appareil.
- Assurez-vous toujours qu'il y ait de l'eau dans le réservoir avant de mettre l'appareil en marche. N'ajoutez jamais de l'eau directement dans la base de l'appareil.
- Assurez-vous que l'appareil soit placé sur une surface plane et sèche et qu'il n'y ait pas de sources de chaleur telles qu'une fenêtre, un radiateur ou un four à proximité immédiate de l'appareil.
- Évitez de pulvériser de la vapeur sur des meubles ou sur des appareils électriques afin de ne pas les endommager.
- Ne plongez jamais l'appareil dans de l'eau ou dans un autre liquide. Ne le placez jamais directement sous le robinet.
- Évitez d'avoir de l'eau dans la base de l'appareil. Ceci pourrait endommager les composants internes et provoquer un danger d'électrocution. Pour cette même raison, ne déplacez pas l'appareil si le réservoir d'eau contient encore beaucoup d'eau car l'eau pourrait déborder et entrer dans la base.
- N'ajoutez jamais d'autres produits ou substances dans le réservoir de l'appareil.
- Toute modification à cet appareil sans l'autorisation du fabricant peut s'avérer dangereuse.
- Lorsque l'appareil est en marche, ne touchez que l'écran de commande. Ne touchez pas l'eau dans le réservoir.
- Assurez-vous TOUJOURS que le câble d'alimentation soit débranché avant de nettoyer, bouger, vider ou de remplir l'appareil.
- Utilisez toujours l'appareil dans des températures ambiantes normales, évitez de l'utiliser dans des environnements froids. Si l'eau dans l'appareil a gelé, ne le démarrez pas avant que la glace soit complètement fondue.
- Débranchez l'appareil quand il ne doit pas être utilisé pendant une longue période de temps.
- Ne mettez pas la machine en marche ou ne l'éteignez pas avec les mains mouillées afin d'éviter un risque d'électrocution.



IMPORTANT

Les enfants ou les personnes présentant des déficiences physiques, sensorielles ou mentales ne devraient pas être autorisés à utiliser cet appareil sans la supervision d'un adulte responsable de leur sécurité.

FILTRE HEPA

Ce dispositif contient un filtre HEPA (High Efficiency Particulate Air), qui conserve 99,99% de toutes les particules de polluants et d'allergènes dans l'air qui ont une taille d'au moins 0,3 µm. Il peut être utilisé pour filtrer l'air de polluants tels que de la poussière; des substances chimiques; de la fumée de tabac; des odeurs telles que les odeurs des animaux de compagnie ou de la peinture; des allergènes de pellicules d'animaux, des acariens, etc.) ainsi que des micro-organismes.

COMPARTIMENT POUR AROMATHÉRAPIE

Ce dispositif est équipé d'un compartiment séparé pour l'aromathérapie. Si vous voulez diffuser des huiles essentielles, telles que la lavande, l'eucalyptus, etc., versez quelques gouttes sur la petite pièce de mousse fournie, sur un mouchoir ou une pièce de coton et mettez-le dans le petit tiroir.

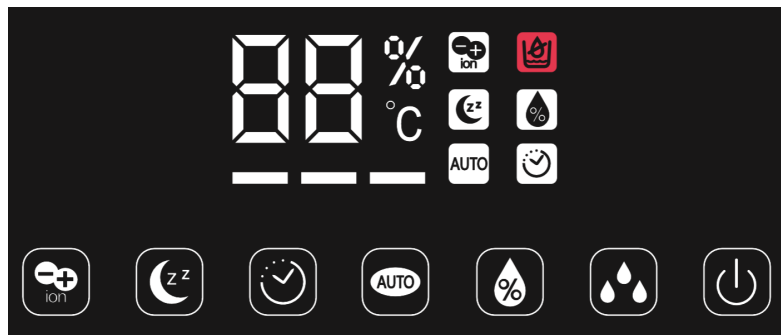
N'ajoutez **JAMAIS** des huiles essentielles à l'eau qui se trouve dans le réservoir, vu que cela endommagera gravement votre machine !

MODE D'EMPLOI

Attention: avant de remplir le réservoir de l'appareil avec de l'eau, éteignez-le et débranchez-le.

1. L'humidificateur fonctionne de façon optimal lorsque la température est comprise entre 5 et 40 degrés Celsius et que l'humidité relative est inférieure à 80%.
2. Utilisez de l'eau propre inférieure à 40 degrés (de l'eau déminéralisée est recommandée)
3. Nettoyez le réservoir d'eau lorsque vous les réutilisez après une longue période.
4. Si la machine est utilisée avec un filtre à eau, il est recommandé de faire tremper le filtre pendant 24 heures avant la première utilisation.

INSTRUCTIONS DES BOUTONS



Lorsque le voyant symbole «%» est allumé, les données numériques indiquent l'humidité ambiante.

Lorsque le voyant symbole «°C» est allumé, les données numériques indiquent la température ambiante.

Lorsque le voyant symbole «H» est allumé, signifie que l'appareil a réglé la minuterie, appuyez sur la touche minuterie pour voir les heures restantes.

Les données d'humidité «%» seront activées pendant 10 secondes › , puis les données de température «°C» seront activées pendant 5 secondes › et se répéteront donc.



Alimentation: Au branchement de l'alimentation, un bip retentit et la machine passe en mode veille. Une fois que vous appuyez sur ce bouton, la machine commence à fonctionner avec l'affichage LED allumé. Appuyez à nouveau sur ce bouton, la machine cesse de fonctionner et passe en mode veille.



Ions négatifs : Ions négatifs: appuyez sur ce bouton pour démarrer la fonction “ions négatifs”, appuyez à nouveau pour stopper cette fonction



Mode de nuit : Appuyez sur ce bouton pour activer le mode nuit , tout l'affichage sera éteint (l'icône du mode veille sur l'écran sera tamisée en 20 secondes). Appuyez sur n'importe quelle touche pour arrêter le mode nuit et afficher les données.



Minuterie : Appuyez sur cette touche pour démarrer le réglage de la minuterie avec un possibilité de réglages de réglage de 1 à 10 heures, la machine cessera de fonctionner automatiquement lorsque la minuterie sera atteinte.



Fonction Humidificateur : Appuyez sur cette touche pour régler l'humidité souhaitée; La machine cessera de fonctionner une fois que le taux réglé sera atteint. L'humidité peut être ajustée de 40% à 80% HR. Lorsque la machine commence à fonctionner, elle continuera à travailler pendant 2 minutes, peu importe que l'humidité de la pièce atteigne ou non l'humidité réglée.



Mode AUTO : Appuyez sur ce bouton, la machine entrera en mode de contrôle automatique. Ce mode maintient l'humidité relative à 55% ~ 68%. La machine choisira la meilleure méthode d'humidification en fonction de l'humidité ambiante de la pièce.



Niveau de vapeur : Le volume de vapeur peut être réglée sur 3 intensités en appuyant sur cette touche. Plus petit débit pour lke niveau 1, debit maximum pour le niveau 3

MISE EN ROUTE

1. Sortez le réservoir d'eau de la machine, dévissez le couvercle et remplissez le réservoir d'eau, puis vissez bien le couvercle. Placez le réservoir d'eau sur la machine de manière correct.
2. Vérifiez si la buse de sortie de la vapeur et que le couvercle soient bien sur le réservoir d'eau.
3. Branchez l'alimentation, puis appuyez sur l'interrupteur marche / arrêt, la machine commence à fonctionner.
4. Suivez les étapes ci-dessous pour utiliser la fonction arômatherapie:
 - Sortez la boîte pour huiles essentielles et arômes
 - Utilisez une huile aromatique soluble dans l'eau pour mettre dans l'éponge
 - Remettez la boîte dans la machine, la fonction “arôme” sera automatiquement activée lorsque vous allumerez la machine
 - Pour arrêter la fonction “aroma” ou lorsque la machine n'est pas utilisée pendant une longue période, retirez l'éponge dans la boîte d'arôme et nettoyez-la, remettez-la dans la machine.

Attention: avant de remplacer le filtre, éteignez l'appareil et débranchez-le de la prise de courant.

ENTRETIEN

Assurez-vous toujours que l'appareil est débranché avant de le nettoyer.

1. Capteur
 - Selon la dureté de l'eau de votre région, le capteur peut être entarté plus au moins rapidement. Pour le nettoyer ajouter un peu de produit spécifique sur la surface du capteur (plus ou moins selon le tartre à enlever), puis laisser agir le produit 10-15 min maximum et bien rincer après.un petit peu de produit de nettoyage sur la surface du transducteur (dépend plus ou moins de l'échelle), puis infuser de l'eau dans l' évier pour tremper complètement l'évier pendant 10-15 min.
 - Nettoyez avec une brosse jusqu'à ce que reste du tartre disparaisse.
 - Rincez deux fois avec de l'eau
 - Ne nettoyez pas le transducteur avec tout metal, grattez-le pour éviter tout dommage
2. Réservoir d'eau interne

Réservoir d'eau propre à l'intérieur et, videz le deux fois par semaine au moins lors de l'utilisation fréquente de la machine

Utilisez un chiffon doux pour l'essuyer lorsque les côtés du réservoir d'eau ont du tartre

Il y aura de la saleté collée à la paroi intérieure du réservoir, qui peut être nettoyée avec un récurage doux.

Ne mettez pas d'acide, et autre produits chimiques dans le réservoir d'eau pour éviter des dommages

3. Videz l'eau interne à la machine

Videz l'eau dans l'évier et essuyez avec un chiffon humide

Rincer à l'eau

4. Filtre à air

Il est recommandé de remplacer le filtre à air tous les une à deux fois par an en fonction des conditions environnementales réelles. Appuyez sur le couvercle du filtre à air, le couvercle s'ouvrira, retirez le filtre à air et remplacez un nouveau. Veuillez envelopper correctement l'ancien filtre pour éviter une pollution secondaire de l'air et jeter le filtre. Ne jamais le toucher ou essayer de le nettoyer.

N'oubliez pas:

- Vérifiez soigneusement la tension pour vous assurer que la tension de votre domicile correspond au produit
- Assurez-vous que la fiche s'insère exactement dans la prise.
- Retirez la fiche avec la main au lieu de tirer sur le fil.
- N'utilisez pas le produit dans un environnement humide, tel qu'une salle de bain, cela provoquerait un choc électrique et un risque d'incendie.
- Ne rien poser sur l'appareil pour éviter les pannes ou les dommages.
- Ne nettoyez pas votre machine pendant qu'elle fonctionne ou juste après pour éviter que l'eau chaude ou les pièces ne vous blessent.
- Retirez le réservoir d'eau avant de déplacer l'appareil.
- Veuillez retirer la fiche de la prise lorsque vous nettoyez et lavez la machine, ou si vous n'utilisez pas le produit pendant une longue période
- Ne touchez pas la fiche ou le fil avec les mains mouillées pour éviter une électrocution
- Ne rien mettre dans et sur la machine
- Ne nettoyez pas le produit lorsque l'eau est encore chaude.
- Ne touchez pas la brume chaude de près.
- Gardez la machine hors de portée des enfants.
- Lorsque la machine est endommagée ou ne peut pas fonctionner normalement, veuillez la porter à notre service

RANGEMENT

1. Placez-le dans un endroit plat et stable

L'humidificateur doit être stocké horizontalement.

2. Placez-le loin d'une source de chaleur

L'humidificateur doit être éloigné de la source de chaleur, comme les poêles ou la cheminée. Évitez qu'il soit directement au soleil.

3. Placez-le loin de meubles fragiles et d'appareils électroniques.

La pulvérisation de la vapeur par humidificateur ne doit pas être dirigée vers les meubles et appareils électroniques, ce qui leur évitera d'être endommagés par une humidité excessive.

QUESTIONS COMMUNES

Symptôme anormale	Cause	Action
Voyant lumineux éteint, pas de purification d'air, pas de vapeur	<ul style="list-style-type: none"> - La fiche d'alimentation n'est pas correctement branchée - L'appareil n'est pas allumé 	<ul style="list-style-type: none"> - Branchez le câble d'alimentation correctement - Poussez le bouton de démarrage pour allumer l'appareil
Voyant lumineux allumé, la purification d'air fonctionne, pas de vapeur	<ul style="list-style-type: none"> - Il n'y a pas d'eau dans le réservoir - L'humidostat automatique n'a pas été activé - Le flotteur indiquant le niveau d'eau n'est pas enfoncé 	<ul style="list-style-type: none"> - Remplissez le réservoir d'eau - Activez l'humidostat automatique - Poussez le flotteur vers le bas
La vapeur sent mauvaise	<ul style="list-style-type: none"> - Nouvelle unité - L'eau dans le réservoir n'est pas propre 	<ul style="list-style-type: none"> - Ouvrez le réservoir d'eau et gardez-le ouvert pendant 12 heures - Remplacez l'eau dans le réservoir
Voyant lumineux allumé, pas de filtration d'air, pas de vapeur	<ul style="list-style-type: none"> - Il y a trop d'eau dans la base 	<ul style="list-style-type: none"> - Enlevez l'eau de la base de la machine - Vissez le couvercle sur le réservoir d'eau
Pas beaucoup de vapeur	<ul style="list-style-type: none"> - Le transducteur est entartré - L'eau est sale ou est restée dans la machine pendant trop longtemps 	<ul style="list-style-type: none"> - Nettoyez le transducteur - Remplacez l'eau dans le réservoir de l'appareil

APPAREILS DÉFECTUEUX OU ENDOMMAGÉS

- Quand vous soupçonnez que votre appareil est défectueux ou quand il ne fonctionne plus correctement, s'il fait des bruits anormaux ou émet des odeurs anormales pendant l'opération, ou quand l'appareil même ou le câble d'alimentation sont endommagés, appelez le service après-vente. N'utilisez plus votre appareil avant qu'il ne soit révisé par un spécialiste. Ne le démontez jamais vous-même.
- Suivant la Directive Européenne relative aux déchets d'équipements électriques et électroniques (DEEE), les appareils électriques ne peuvent pas être collectés avec les déchets ménagers normaux, mais doivent être remis dans un point de collecte spécialisé dans votre quartier.



Fabriqué en Chine – Bo Jungle - Vox Populi BVBA – Asterdreef 13 -9040 GAND – BELGIQUE
www.bojungle.eu – info@bojungle.eu – Tel: +32 54 240 331 – Fax: +32 9 270 01 80

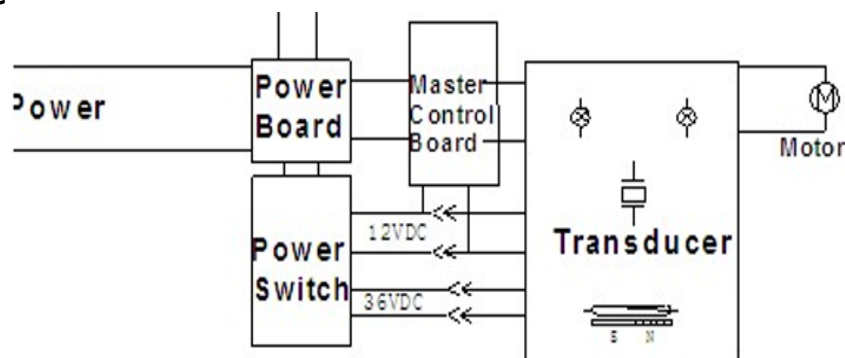
Vielen Dank, dass Sie sich für die Bo-Jungle digitale Luftbefeuchter & Luftreiniger entschieden haben. Wir sind davon überzeugt, dass Sie mit unserem Produkt voll zufrieden sein werden.

Bitte nehmen Sie sich ein paar Minuten Zeit, um diese Anleitung sorgfältig durch zu lesen, bevor Sie das Produkt verwenden und bewahren Sie sie für zukünftige Verwendung.

TECHNISCHE DATEN

Stromspannung	220 - 240 V / 50-60 Hz
Macht consumpt Ion	2.5 W.
Anwendbarer Bereich	80M3
Inhalt des Wassertanks	5.0 Liter (für 17 kontinuierlich arbeiten -24 Stunden)
Nebelkapazität	300 ml / h

CIRCUIT SCHEMATIC



WICHTIGE SICHERHEITSHINWEISE - BITTE LESEN SIE DIESE SORGFÄLTIG:

- Bevor Sie das Gerät zum ersten Mal benutzen, überprüfen Sie ob die elektrische Versorgungsspannung der Spannung, die an der Unterseite des Geräts erwähnt wird, entspricht.
- Stellen Sie das Gerät außerhalb der Reichweite von Kindern. Stellen Sie sicher, dass das Netzkabel sich auch außerhalb der Reichweite von Kindern befindet. Sie dürfen nicht mit dem Gerät spielen.
- Achten Sie immer darauf das Wasser im den Tank ist, bevor Sie das Gerät einschalten. Niemals Wasser direkt in die Basis des Geräts Gießen.
- Stellen Sie sicher, dass das Gerät auf einem ebenen und trockenen Untergrund gestellt ist und, dass es keine Wärmequellen wie Fenster, Heizkörper oder Ofen in der direkten Umgebung des Gerätes gibt.
- Sorgen Sie dafür, dass der Dampf nicht auf Möbel oder Elektrogeräte sprüht, um diese nicht zu beschädigen.
- Tauchen Sie das Gerät nicht in Wasser oder eine andere Flüssigkeit. Halten Sie es nie direkt unter dem Wasserhahn.
- Vermeiden Sie, dass Wasser in die Basis des Gerätes läuft, da dies die inneren Teile beschädigt und eine Gefahr für Stromschlag bedeuten kann. Aus diesem Grund, das Gerät nicht bewegen, wenn es eine Menge Wasser im Tank gibt, da das Wasser kann überlaufen und in die Basis laufen kann.
- Niemals andere Produkte oder Stoffe an das Wasser im Gerät hinzuzufügen.
- Jede Änderung an diesem Gerät ohne Genehmigung des Herstellers könnte als gefährlich betrachtet werden.
- Während das Gerät in Betrieb ist, berühren Sie nur die Systemsteuerung. Das Wasser im Tank nicht berühren.
- Achten Sie immer darauf, dass das Netzkabel aus der Steckdose gezogen ist vor der Reinigung, Umstellung, Entleerung oder Befüllung des Gerätes.
- Benutzen Sie das Gerät bei normaler Zimmertemperatur, nicht in kalten Umgebungen. Wenn das Wasser im Gerät eingefroren ist, starten Sie es nicht, bis das Eis gelöscht wurde.
- Verwenden Sie vorzugsweise abgekochtes oder destilliertes Wasser in den Befeuchter. Den Tank nicht mit Wasser von über 40°C füllen um Verfärbungen oder Verformungen zu vermeiden.
- Ziehen Sie den Stecker aus, wenn das Gerät nicht für eine längere Zeit verwendet wird.
- Schalten Sie die Maschine nicht mit nassen Händen ein, sonst könnte sich ein Risiko von Stromschlägen vor tun.



WICHTIG

Kinder oder Personen mit physischen, sensorischen oder geistigen Beeinträchtigungen sollten nicht erlaubt werden, um dieses Gerät zu benutzen, es sei denn sie werden von einem Erwachsenen, der für ihre Sicherheit verantwortlich ist überwacht.

HEPA-Filter

Dieses Gerät enthält einen HEPA-Filter (High Efficiency Particulate Air), die 99,99% aller partucules von Schadstoffen und Allergenen in der Luft, die eine Größe von mindestens 0,3 µm aufweisen entfernt. Es kann verwendet werden, um die Auswirkungen zu verringern oder die Luft von Verunreinigungen, wie Staub, zu filtern, so auch chemische Stoffe; Tabakrauch; Gerüche wie Gerüche von Haustieren oder Farbe; Allergene (Tier Schuppen, Hausstaubmilben, etc.) sowie Mikroorganismen.

AROMA PAD FACH

Dieses Gerät ist mit einem Aroma-Pad Fach ausgestattet. Falls Sie ätherische Öle, wie Lavendel, Eukalyptus etc. diffundieren, streuen Sie ein paar Tropfen ätherisches Öl auf das mitgelieferte Stück Schaumstoff oder auf ein Gewebe oder ein Stück Baumwolle und legen Sie sie in das Aroma Pad-Fach.

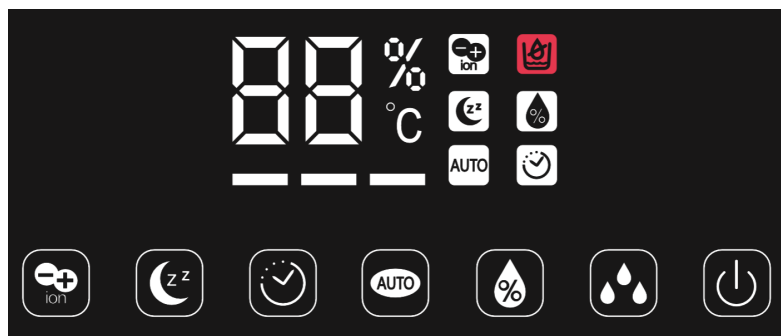
NIEMALS ätherische Öle, in das Wasser im Inneren des Tanks gießen, da dies den Befeuchter ernstlich beschädigen wird!

BEDIENUNGSANLEITUNG

Achtung: Vor dem Befüllen des Tanks des Gerätes mit Wasser, das Gerät ausschalten und Netzstecker ausziehen.

1. Die Arbeitsumgebung für Luftbefeuchter ist, wenn die Temperatur zwischen 5 und 40 Grad Celsius liegt und die relative Luftfeuchtigkeit niedriger als 80% rF.
2. Verwenden Sie sauberes Wasser unter 40 Grad (reines Wasser wird empfohlen)
3. Reinigen Sie den Wassertank und die Wasserrinne, wenn Sie sie nach langer Zeit wieder verwenden.
4. Wenn die Maschine mit Wasserfilter verwendet wird, wird empfohlen, den Filter vor dem ersten Gebrauch 24 Stunden lang einzuweichen.

TASTENANLEITUNG



Wenn die Symbolanzeige „ % “ leuchtet , bedeuten die digitalen Daten Umgebungsfeuchtigkeit .

Wenn die Symbolanzeige „ °C “ leuchtet , bedeuten die digitalen Daten Umgebungstemperatur .

Wenn die Symbolanzeige „ H “ leuchtet , bedeutet dies, dass das Gerät den Timer eingestellt hat. Drücken Sie die Timer-Taste, um die verbleibenden Stunden anzuzeigen.

Die Feuchtigkeitsdaten „ % “ sind 10 Sekunden lang eingeschaltet , und die Temperaturdaten „ °C “ sind 5 Sekunden lang eingeschaltet , und wiederholen sich so.



Stromversorgung: Schließen Sie das Gerät an, es ertönt ein Piepton und das Gerät wechselt in den Standby-Modus. Sobald Sie diese Taste drücken, beginnt die Maschine mit eingeschalteter LED-Anzeige zu arbeiten. Drücken Sie diese Taste erneut, das Gerät funktioniert nicht mehr und wechselt in den Standby-Modus.



Negative Ionen : Drücken Sie diese Taste die negative Ionen - Funktion zu starten , drücken Sie erneut auf st op Negativ - Ionen – Funktion



Nachtmodus : Drücken Sie diese Taste des Maschine Start Nacht - Modus, alle sehen sein dim wird (das Schlafmodus - Symbol im Display in 20 Sekunden dunkel wird). Drücken Sie eine beliebige Taste, um den Nachtmodus zu stoppen und die Wiederherstellung wiederherzustellen.



Timer : Drücken Sie die Taste th , um die Timer-Einstellfunktion mit einem Einstellzeitkreis von 1-1 0 Stunden zu starten . Die Maschine funktioniert nicht mehr , wenn der Timer eingestellt ist.



Luftfeuchtigkeit : Drücken Sie diese Taste, um die gewünschte Luftfeuchtigkeit einzustellen. Die Maschine funktioniert nicht mehr, sobald die Luftfeuchtigkeit die eingestellte Luftfeuchtigkeit erreicht hat. Feuchtigkeit kann von 40% eingestellt werden ~ 80% relative Luftfeuchtigkeit. Wenn Maschine anfangen zu arbeiten, wird es hält feucht ifying für 2 min ute s nicht die Raumfeuchte Materie erreicht die Einstellung Feuchtigkeit oder nicht.



AUTO-Modus : Drücken Sie diese Taste, um das Gerät in einen automatischen Steuermodus zu versetzen. Dieses Modell hält die relative Luftfeuchtigkeit bei 55% ~ 68%. Die Maschine wählt die beste Befeuchtungsmethode entsprechend der unterschiedlichen Luftfeuchtigkeit im Raum.



Mist Stufe : Dampfvolumen kann Betrag 1 Anwesen, 2 Stände geändert werden, und 3 esta te durch Drücken dieser Taste. Kleinster Dampf für 1 Landgut, größter Dampf für 3 Landgüter

OPERATIONSVERFAHREN

1. Nehmen Sie den Wassertank aus der Maschine, schrauben Sie den Deckel ab und füllen Sie den Tank mit Wasser. Schrauben Sie dann den Deckel gut auf. Stellen Sie den Wassertank fest auf die Maschine.
2. Überprüfen Sie, ob die Nebelauslassdüse und die Griffabdeckung gut am Wassertank montiert sind.
3. Schließen Sie die Stromversorgung an und drücken Sie dann den Ein- / Ausschalter . Die Maschine beginnt zu arbeiten.
4. Befolgen Sie die folgenden Schritte, um die Aromafunktion zu verwenden:
 - Aromakiste herausnehmen
 - Verwenden Sie wasserlösliches Aromaöl, um in den Schwamm zu fallen
 - Setzen Sie die Aromabox wieder in die Maschine ein. Die Aromafunktion wird beim Einschalten der Maschine automatisch aktiviert
 - Um die Aromafunktion zu stoppen oder wenn die Maschine längere Zeit nicht benutzt wird, nehmen Sie den Schwamm in der Aromabox heraus, entfernen Sie ihn und setzen Sie ihn wieder in die Maschine ein.

Stellen Sie immer sicher, dass das Gerät vom Stromnetz getrennt ist, bevor Sie es reinigen.

WARTUNG

1. Wandler
 - Die Wasserqualität ist an einigen Stellen zu hart, so dass die Oberfläche des Wandlers leicht skaliert werden kann. Die Benutzer müssen den Wandler mit einem Reinigungsmittel reinigen.
 - a dd wenig Reinigungsmittel auf der Wandleroberfläche (mehr oder weniger abhängig von der Skala), dann infuse Wasser in das Spülbecken das Waschbecken für 10-15 min vollständig zu tränken.
 - Mit der Bürste reinigen, bis die Schuppen verschwinden.
 - Zweimal mit Wasser reinigen
 - Don t sauber Wandler von jedem Metall oder Steifigkeit Material oder kratzt sie Schäden zu vermeiden
2. Wassertank innen

Reinigen Sie w ater Tank innen und Wasser Spüle zweimal pro Woche mindestens , wenn die Verwendung Maschine häufig

Wischen Sie es mit einem weichen Tuch ab, wenn die Seite des Wassertanks Kalk aufweist
Es wird einiger Schmutz - Stick an die Behälterinnenwand sein, die mit weichen scour gereinigt werden können, löscht die scour completely

Geben Sie keine Säure, Alkaleszenz oder Mixer in den Wassertank, um Schäden zu vermeiden
3. Wasser sinkt hinein

Nehmen Sie das Wasser in der Spüle heraus, reinigen Sie die Waage mit einer Bürste und wischen Sie sie mit einem feuchten Tuch ab

Spülen Sie es mit Wasser

4. Luftfilter

Es wird empfohlen, den Luftfilter je nach den tatsächlichen Umgebungsbedingungen alle ein halbes bis ein Jahr auszutauschen. Drücken Sie auf die Luftfilterabdeckung, die Abdeckung springt heraus, nehmen Sie den Luftfilter heraus und ersetzen Sie den neuen. Bitte wickeln Sie den alten Filter ordnungsgemäß ein, um eine sekundäre Verschmutzung zu vermeiden.

Bitte denken Sie daran :

- Überprüfen Sie die Spannung sorgfältig, um sicherzustellen, dass Ihre Netzspannung zum Produkt passt
- Stellen Sie sicher, dass der Stecker genau in die richtige Buchse eingesteckt ist und nur für den Stecker ohne andere.
- Nehmen Sie den Stecker mit der Hand heraus, anstatt den Draht zu ziehen.
- Verwenden Sie das Produkt nicht in feuchten Umgebungen wie Badehäusern und Badezimmern, da dies zu Stromschlägen und Bränden führen kann.
- Legen Sie Ihre Hand und Geräte nicht auf das Produkt, um Purl oder Beschädigungen zu vermeiden.
- Reinigen Sie Ihre Maschine nicht während der Arbeit oder kurz nach der Arbeit, um zu vermeiden, dass heißes Wasser oder Teile Sie verletzen.
- Entfernen Sie den Wassertank, bevor Sie das Gerät bewegen .
- Verwenden Sie die Maschine nicht, um Sonnenschein zu entdecken oder sich der Heizung zu nähern
- Bitte verwenden Sie das vom Service-Center des Verkäufers gekaufte Kabel, um das beschädigte Kabel zu ersetzen.
- Bitte nehmen Sie den Stecker , wenn Sie sauber und waschen Sie die off - Maschine, oder es für eine lange ti ungenutzt lassen mich
- Berühren Sie den Stecker oder das Kabel nicht mit den nassen Händen, um ein Kriechen zu vermeiden
- Legen Sie keine Kleinigkeiten in die Maschine
- Reinigen Sie das Waschbecken nicht, wenn das Wasser noch heiß ist.
- Bewahren Sie die Maschine außerhalb der Reichweite von Kindern auf.
- Wenn die Maschine beschädigt ist oder nicht normal funktioniert, wenden Sie sich bitte an unseren Kundendienst

LAGERUNG

1. Stellen Sie es an den festen, flachen Ort. Der Luftbefeuchter sollte an einem horizontalen Ort aufgestellt und ruhig gehalten werden.
2. Stellen Sie es weit weg von der Wärmequelle auf Der Luftbefeuchter sollte weit entfernt von der Wärmequelle wie den Öfen oder dem Kamin sein. Vermeiden Sie, dass die Sonne direkt brennt.
3. Stellen Sie es weit weg von Möbeln und elektronischen Geräten auf der vom Luftentfeuchter versprühte Nebel darf nicht auf die Möbel und das elektronische Gerät gerichtet sein, um eine Beschädigung durch Feuchtigkeit zu vermeiden.

HÄUFIGE PROBLEME

Abnorme Symptom	Ursache	Aktion
Kontrollleuchte nicht an, keine Luftfilterung, kein Dampf	- Der Netzstecker ist nicht richtig eingesteckt - Der Netzschalter ist nicht eingeschaltet	- Stecken Sie den Netzstecker ein - Schalten Sie den Netzschalter ein
Anzeige auf, mit Luftfilterung, kein Dampf	- Es gibt kein Wasser im Tank - Die automatische Kontrolle der Luftfeuchtigkeit ist nicht eingeschaltet - Der Wasserstand Schwimmerkappe nicht gedrückt	- Füllen Sie den Wassertank - Schalten Sie die automatische konstante Feuchtigkeit auf - Ersetzen Sie den Wasserstand Schwimmerkappe
Der Dampf riecht	- Neue Einheit - Das Wasser im Tank ist nicht sauber	- Öffnen Sie den Wassertank und lassen Sie es für 12 Stunden geöffnet - Ersetzen Sie das Wasser in den Tank
Anzeige auf, ohne Luftfilter , kein Dampf	- Es ist zu viel Wasser in der Basis	- Gießen Sie etwas Wasser aus dem Boden der Maschine - Schrauben Sie den Wassertank Deckel
Nicht viel Dampf	- Es gibt Kalkbildung auf dem Wandler - Das Wasser ist schmutzig oder zu lange gelagert	- Reinigen Sie den Schallkopf - Ersetzen Sie das Wasser im Gerät

MANGEL ODER SCHADEN

- Falls Sie vermuten, dass Ihr Gerät einen Defekt oder eine Fehlfunktion erweist, wenn es nicht richtig funktioniert, oder wenn es ungewöhnliche Geräusche macht oder einen Geruch abgibt, während es in Betrieb ist, oder wenn das Gerät selbst oder das Netzkabel beschädigt sind, rufen Sie die After-Sales-Service. Verwenden Sie es nicht, bis es von einem professionellen überprüft worden. Versuchen Sie nicht es selber auszubauen.
- In Übereinstimmung mit den europäischen Vorschriften, dürfen elektronische und elektrische Altgeräte nicht in den Hausmüll entsorgt werden. Dafür gibt es spezialisierte Sammelstelle in Ihrer Nähe, die Ihr Gerät entgegennehmen.



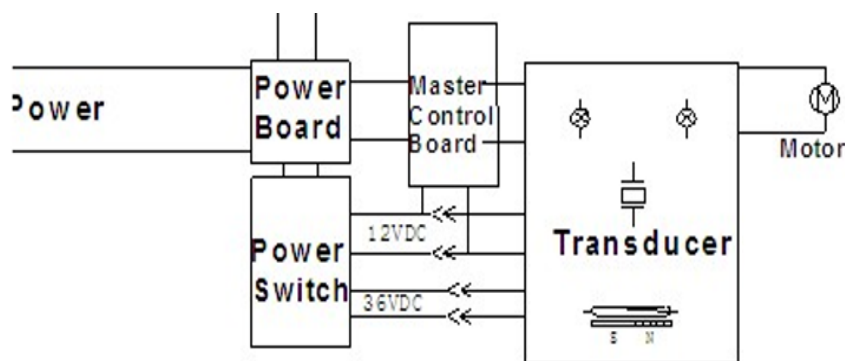
Made in China – Bo Jungle - Vox Populi BVBA – Asterdreef 13 -9040 GENT – BELGIEN
www.bojungle.eu – info@bojungle.eu – Tel: +32 54 240 331 – Fax: +32 9 270 01 80

Gracias por haber elegido el humidificador y purificador de agua de Bo Jungle. Estamos convencidos de que usted estará plenamente satisfecho con nuestro producto. Por favor tómese unos minutos para leer estas instrucciones atentamente antes de usar el producto y guárdelas para un uso futuro.

ESPECIFICACIONES TÉCNICAS

Voltaje	220V / 50-60 Hz
Consumo de energía	25 W
Tecnología	Ionización + filtro HEPA
Área aplicable	80M3
Contenido del depósito de agua	5 litros (puede operar continuamente durante 17-24 horas)
Capacidad de nebulización	300 ml/h

ESQUEMA CIRCUITO



INSTRUCCIONES DE SEGURIDAD IMPORTANTES – LEA ATENTAMENTE POR FAVOR:

- Antes de utilizar el aparato por primera vez, compruebe si el voltaje de suministro de energía eléctrica corresponde al mencionado debajo del aparato.
- Coloque siempre el aparato fuera del alcance de los niños. Asegúrese de que el cable de alimentación también se encuentre fuera del alcance de los niños. No permita que los niños jueguen con el aparato.
- Asegúrese siempre de que haya agua en el tanque antes de encender el dispositivo. No añada agua directamente en la base del dispositivo.
- Asegúrese de que la unidad esté colocada sobre una superficie plana y seca y que no haya fuentes de calor, como una ventana, un radiador o un horno cerca del aparato.
- Evite que el vapor entre en contacto con muebles o aparatos eléctricos para no dañarlos.
- No sumerja nunca el aparato en agua o en cualquier otro líquido. Nunca colóquelo directamente bajo el grifo.
- Evite que agua entre en la base del aparato, ya que eso podría dañar los componentes internos y causar un peligro de electrocución. Por esto, nunca mueva el dispositivo, mientras haya una gran cantidad de agua en el depósito, ya que el agua podría desbordarse y entrar en la base.
- Nunca añada ningún otro producto u otra sustancia al agua en el aparato.
- Cualquier modificación a esta unidad sin la autorización previa del fabricante puede resultar peligrosa.
- Mientras la unidad está funcionando, toque sólo el panel de control. No toque el agua en el depósito.
- Asegúrese SIEMPRE de que el cable de alimentación esté desenchufado antes de limpiar, mover, vaciar o llenar el aparato.
- Utilice siempre el aparato en sitios con temperaturas normales, no lo utilice en sitios fríos. Si el agua en el dispositivo se ha congelado, no lo encienda hasta que el hielo se haya disuelto completamente.
- Utilice de preferencia agua hervida o destilada en el humidificador. No llene el tanque con agua de más de 40°C para evitar la decoloración o distorsión del aparato.
- Desenchufe la unidad cuando no se va a utilizar durante un periodo de tiempo largo.

- No encienda o apague la máquina con las manos mojadas, para evitar el riesgo de choques eléctricos.



IMPORTANTE

Los niños o las personas con discapacidades físicas, sensoriales o mentales no deberían estar autorizados a utilizar este aparato a menos que sean supervisados por un adulto que es responsable de su seguridad.

FILTRO HEPA

Este dispositivo tiene un filtro HEPA (High Efficiency Particulate Air), que retiene 99,99% de todas las partículas de contaminantes y alérgenos en el aire que tienen un tamaño de al menos 0,3 µm. Se puede utilizar para reducir los efectos de o para filtrar el aire de contaminantes tales como el polvo; sustancias químicas; humo de tabaco; olores, como los olores de animales domésticos o de pintura; alérgenos (caspa de animales, ácaros del polvo, etc), así como microorganismos.

COMPARTIMENTO PARA AROMATERAPIA

Este aparato está equipado con un compartimento para aromaterapia. Si usted quiere esparcir aceites esenciales como lavanda, eucalipto, etc. cuando usa el humidificador, ponga algunas gotitas de aceite esencial en el pedacito de espuma suministrado o en un kleenex o un disco de algodón y póngalo en el compartimento previsto para la aromaterapia.

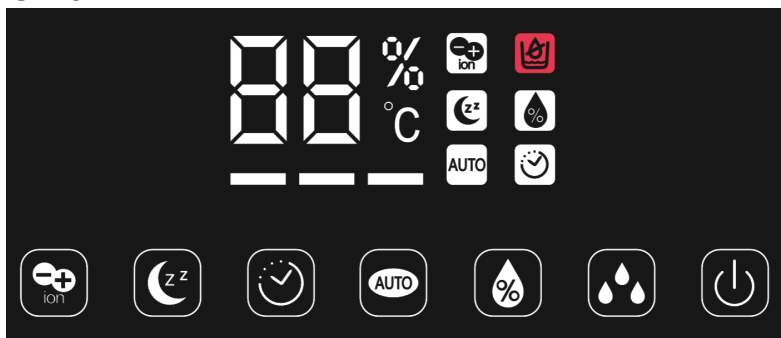
NUNCA añada aceites esenciales al agua en el depósito de agua, visto que esto dañara gravemente al aparato.

INSTRUCCIONES DE USO

Advertencia: antes de llenar el depósito de agua del aparato, apáguelo y desenchúfelo.

1. El ambiente de trabajo para el humidificador es cuando la temperatura está entre 5 y 40 grados Celsius, y la humedad relativa es inferior al 80% de HR.
2. Use agua limpia a menos de 40 grados (se recomienda agua pura)
3. Limpie el tanque de agua y el canal de agua cuando lo vuelva a usar después de mucho tiempo.
4. Si la máquina se usa con filtro de agua, se recomienda remojar el filtro durante 24 horas antes del primer uso.

INSCRIPCIONES DE BOTONES



Cuando la luz del símbolo " %" está encendida, los datos digitales significan humedad ambiental .

Cuando la luz del símbolo "°C " está encendida, los datos digitales significan la temperatura ambiental .

Cuando la luz del símbolo " H " está encendida, significa que el dispositivo ha configurado el temporizador, presione la tecla del temporizador para ver las horas restantes .

Los datos de humedad " %" estarán encendidos durante 10 segundos , y luego los datos de temperatura "°C " estarán encendidos durante 5 segundos , y así se repite.



Alimentación: conecte la alimentación , se escucha un pitido y la máquina pasa al modo de espera. Una vez que presione este botón, la máquina comenzará a funcionar con la pantalla LED encendida. Presione este botón nuevamente, la máquina deja de funcionar y pasa al modo de espera.



Iones negativos : presione este botón para iniciar la función de iones negativos, presione nuevamente para detener la función de iones negativos .



Modo nocturno : presione este botón para que la máquina inicie el modo nocturno , toda la pantalla se atenuará (el icono del modo de suspensión en la pantalla se atenuará en 20 segundos). Presione cualquier tecla para detener el modo nocturno y la pantalla se recuperará.



Temporizador : Pulse esta tecla para iniciar la función de ajuste del temporizador con la configuración de la hora del círculo de 1-10 horas; m áquina dejará de funcionar automáticamente cuando ajusta el temporizador alcanza.



Humidistato : presione esta tecla para establecer la humedad deseable; La máquina dejará de funcionar una vez que la humedad haya alcanzado la humedad establecida. La humedad se puede ajustar desde 40% ~ 80% RH. Cuando la máquina empieza a trabajar, que se mantendrá durante 2 min humidificación UTE s sin importar la humedad de la habitación alcanza la humedad ambiente o no.



Modo AUTO : Presione este botón, la máquina ingresa a un modo de control automático. Este modelo mantiene la humedad relativa en 55% ~ 68%. La máquina elegirá el mejor método de humidificación según la humedad ambiental de la sala.



Nivel de niebla : el volumen de vapor se puede cambiar en 1 estado, 2 estados y 3 bienes presionando esta tecla. El vapor más pequeño para 1 propiedad, el vapor más grande para 3 propiedades

PROCEDIMIENTO DE OPERACIÓN

1. Saque el tanque de agua de la máquina, desenrosque la tapa y llene el tanque con agua, luego atornille bien la tapa. Ponga el tanque de agua en la máquina con regularidad .
2. Inspeccione si la boquilla de salida de niebla y la cubierta de la manija están bien ensambladas en el tanque de agua.
3. Conecte la alimentación y luego presione el interruptor de encendido / apagado, la máquina comenzará a funcionar.
4. Siga los pasos a continuación para usar la función de aroma:
 - Sacar la caja de aroma
 - Use aceite aromático soluble en agua para colocarlo en la esponja
 - Vuelva a colocar la caja de aroma en la máquina, la función de aroma se activará automáticamente cuando encienda la máquina.
 - Para detener la función de aroma o cuando la máquina no esté en uso durante mucho tiempo, saque la esponja en la caja de aroma y límpiela, vuelva a colocarla en la máquina.

Advertencia: antes de sustituir el filtro, apágue el aparato y desenchúfelo de la toma.

MANTENIMIENTO

Siempre asegúrese de que el dispositivo esté desconectado antes de limpiarlo.

1. Transductor
 - La calidad del agua en algún lugar es demasiado dura para que la superficie del transductor sea fácil de escalar. Los usuarios deben limpiar el transductor con un agente limpiador.
 - una dd poco agente de limpieza sobre la superficie del transductor (más o menos depende de la escala), entonces Infuse agua en el fregadero en remojo el fregadero completamente durante 10-15 min.
 - Limpiar con pincel hasta que la escala desaparezca.
 - Limpiar dos veces con agua
 - No limpie el transductor con ningún metal o material rígido ni lo raspe para evitar daños.
2. Tanque de agua en el interior

Limpiar el tanque de agua en el interior y el sumidero de agua dos veces por semana al menos cuando use la máquina con frecuencia

Use un paño suave, límpielo cuando el lado del tanque de agua tenga escamas

Habrá un poco de palo de tierra a la pared interior del tanque, que puede limpiarse con socavación suave y clara la socavación del completel y

No ponga ácido, alcaloides , fregado de mezcla en el tanque de agua para evitar daños
3. Sumidero de agua en el interior

Saque el agua del fregadero, limpie la báscula con un cepillo y luego limpie con un paño húmedo
Enjuague con agua

4. Filtro de aire

Se recomienda reemplazar el filtro de aire cada medio año a un año dependiendo de las condiciones ambientales reales. Presione la tapa del filtro de aire, la tapa saldrá, saque el filtro de aire y reemplace el nuevo. Envuelva el filtro viejo correctamente para evitar la contaminación secundaria.

Por favor recuerda :

- Verifique el voltaje cuidadosamente para asegurarse de que el voltaje de su hogar se ajuste al producto
- Asegúrese de que el enchufe se inserte exactamente en el enchufe correcto, y solo para el enchufe sin otros, asegúrese de que el contacto sea correcto.
- Saque el enchufe con la mano en lugar de arrastrar el cable.
- No utilice el producto en ambientes húmedos , como baños y baños, ya que provocará descargas eléctricas e incendios.
- No ponga sus manos y electrodomésticos sobre el producto para evitar daños o daños.
- No limpie su máquina durante el trabajo o justo después del horario de trabajo para evitar que el agua caliente o las piezas lo lastimen.
- Retire el tanque de agua antes de mover el dispositivo.
- No use la máquina explorando a la luz del sol o cerrándose al calentador
- Utilice el cable comprado en el centro de servicio del vendedor para reemplazar el cable dañado.
- Por favor, quitar el tapón cuando se limpia y se lava la máquina, o dejarlo sin utilizar durante un largo tiempo
- No toque el enchufe o el cable con las manos mojadas para evitar la fuga
- No pongas artículos diversos en la máquina
- No limpie el fregadero cuando el agua aún esté caliente.
- No toque la niebla cálida de cerca.
- Mantenga la máquina fuera del alcance de los niños.
- Cuando la máquina está dañada o no puede funcionar normalmente, llévela a nuestro servicio

ALMACENAMIENTO

1. Colóquelo en el lugar firme y plano.
El humidificador debe colocarse en un lugar horizontal y mantenerlo estable.
2. Colóquelo lejos de la fuente de calor.
El humidificador debe estar lejos de la fuente de calor , como las estufas o la chimenea. Evitando que se quemara directamente al sol.
3. Colóquelo lejos de los muebles y electrodomésticos.
La nebulización del humidificador no debe estar de cara al mueble y al aparato electrónico, lo que evita directamente que se dañe con la humedad.

PROBLEMAS COMUNES

Si las dosis de la máquina no funcionan adecuadamente, verifique lo siguiente antes de recurrir al servicio de mantenimiento.

Problema	Posibles razones	Soluciones
Sin vapor	Revise el enchufe	Enchufe en el zócalo
	Verifique el interruptor de encendido	Encienda el interruptor de encendido
	No hay agua en el tanque	Agregar agua
	menos agua en el tanque	Agregue agua hasta que sea suficiente
Olor peculiar vapor	Nueva máquina	Retire la tapa del tanque , coloque el tanque de agua en un lugar fresco y seco durante 12 horas.
	Agua demasiado sucia, o agua en el tanque demasiado tiempo	Limpie el tanque de agua, reemplace el agua limpia
ruido	Tanque en posición incorrecta	Coloque el tanque en la posición correcta.
	Menos agua en el tanque	Agregar agua
	Nivel desigual para la máquina	Colóquelo en un lugar plano o plano
Vapor de salida que rodea	Espacio libre entre la salida de vapor y el tanque de agua.	Hunda la tapa de la salida de vapor en agua y úsela nuevamente

DEFECTOS O DAÑOS

- En caso de que usted sospeche que su aparato tiene un defecto, si no funciona correctamente, si hace ruidos anormales, si emite olores anormales o cuando el aparato mismo o el cable de alimentación estén dañados, llame al servicio de atención al cliente. No lo utilice hasta que haya sido revisado por un profesional. Nunca desmóntalo usted mismo.
- De acuerdo con la normativa europea, los equipos electrónicos y eléctricos no se pueden echar con los desechos domésticos. Hay que llevarlos a un punto de recogida especializado en su vecindario.



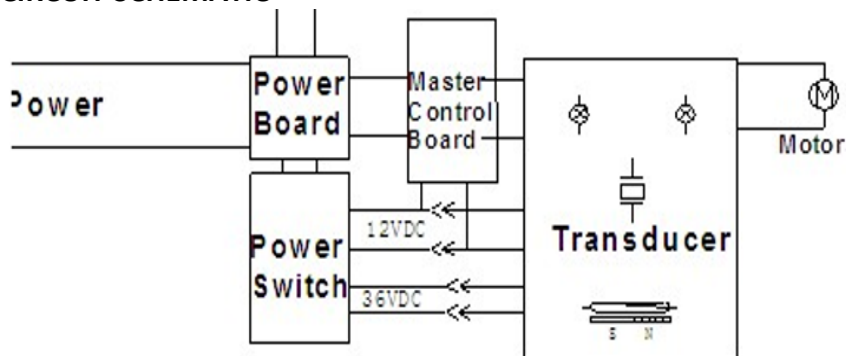
Hecho en China – Bo Jungle - Vox Populi BVBA – Asterdreef 13 -9040 GENT – BÉLGICA
www.bojungle.eu – info@bojungle.eu – Tel: +32 54 240 331 – Fax: +32 9 270 01 80

Grazie per aver scelto l'umidificatore e purificatore dell'aria di Bo Jungle. Siamo sicuri che sarete pienamente soddisfatti del nostro prodotto. Si prega di prendere qualche minuto per leggere attentamente queste istruzioni prima di utilizzare il prodotto e di conservarle per un uso futuro.

SPECIFICHE TECNICHE

Alimentazione elettrica	220V / 50-60 Hz
Consumo di energia	25 W
Qualità della nebulizzazione	80M3
Contenuto del serbatoio d'acqua	5 litri (può funzionare continuamente per 17-24 ore)
Capacità di nebulizzazione	300 ml/h

CIRCUIT SCHEMATIC



ISTRUZIONI IMPORTANTI PER LA SICUREZZA – DA LEGGERE ATTENTAMENTE:

- Prima di utilizzare l'apparecchio per la prima volta, verificare se la tensione di alimentazione elettrica corrisponda alla tensione menzionata nella parte inferiore dell'apparecchio.
- Collocare sempre l'apparecchio fuori dalla portata dei bambini. Assicurarsi che il cavo di alimentazione si trovi anche fuori dalla portata dei bambini. Non lasciarli giocare col'apparecchio.
- Assicurarsi sempre che abbia acqua nel serbatoio prima di accendere il dispositivo. Non aggiungere mai acqua direttamente nella base del dispositivo.
- Accertarsi che l'unità sia posizionata su una superficie piana e asciutta e che non abbia fonti di calore come una finestra, un radiatore o forno nelle immediate vicinanze dell'apparecchio.
- Evitare di spruzzare vapore su mobili o apparecchi elettrici per non danneggiarli.
- Non immergere mai l'apparecchio in acqua o altri liquidi. Non metterlo mai direttamente sotto il rubinetto.
- Evitare che acqua possa penetrare nella base dell'apparecchio, poiché questo potrebbe danneggiare i componenti interni e causare un pericolo di elettrocuzione. Pertanto, non spostare il dispositivo mentre c'è molta acqua nel serbatoio, poiché l'acqua potrebbe traboccare e penetrare nella base.
- Non aggiungere altri prodotti o sostanze all'acqua nel serbatoio.
- Qualsiasi modificazione a questa unità senza l'autorizzazione del fabbricante potrebbe rivelarsi pericolosa.
- Mentre l'unità è in funzione, toccare solo il pannello di controllo. Non toccare l'acqua nel serbatoio.
- Assicurarsi sempre che il cavo di alimentazione sia scollegato prima di pulire, spostare, svuotare o riempire l'apparecchio.
- Utilizzare l'apparecchio sempre in temperature ambiente normali, evitare di utilizzarlo in temperature ambiente freddi. Se l'acqua nel dispositivo è gelata, non utilizzarlo fino a quando il ghiaccio non è disgelato.
- Di preferenza usare acqua bollita o distillata nell'umidificatore. Non riempire il serbatoio con acqua con una temperatura superiore a 40°C per evitare lo scolorimento o la deformazione del dispositivo.
- Scollegare l'unità quando non verrà utilizzata per un periodo di tempo più lungo.
- Non accendere o spegnere la macchina con le mani umide, altrimenti c'è un rischio di scosse elettriche.



IMPORTANTE

Bambini o persone con menomazioni fisiche, sensoriali o mentali non dovrebbe essere permessi di usare quest'apparecchio a meno che siano sorvegliati da un adulto che è responsabile della loro sicurezza.

FILTRO HEPA

Questo dispositivo contiene un filtro HEPA (High Efficiency Particulate Air), che filtra il 99,99% di tutte le particelle di inquinanti e allergeni che hanno una dimensione di almeno 0,3 µm dell'aria. Può essere usato per ridurre gli effetti di o per filtrare l'aria da inquinanti quali il polvere; le sostanze chimiche; il fumo di tabacco; gli odori come odori di animali domestici o di tinture; allergeni (scaglie di pelle di animali, acari della polvere, ecc) e microrganismi.

SCOMPARTO PER AROMATERAPIA

Questo dispositivo è dotato di uno scomparto per aromaterapia. Se desidera diffondere oli essenziali, come di lavanda o eucalipto, ecc mentre utilizza l'umidificatore, spargi alcune gocce di olio essenziale sul pezzo di schiuma fornito, o su un kleenex o un pezzo di cotone e collochi questo nello scomparto.

MAI aggiungere oli essenziali all'acqua nel serbatoio, perché questo danneggerà la macchina gravemente!

ISTRUZIONI DI UTILIZZO

Attenzione: prima di riempire il serbatoio del dispositivo con acqua, spegnere l'apparecchio e staccare la spina.

1. L'ambiente adatto per attivare l'umidificatore presenta una temperatura tra i 5° e i 40° Celsius, con umidità relativa inferiore all'80%.
2. Usare acqua pulita con temperatura inferiore a 40° (consigliata acqua distillata)
3. Pulire il serbatoio e i canali dell'acqua quando si riutilizza il prodotto dopo tanto tempo
4. Se si utilizza il prodotto con il filtro dell'acqua, si raccomanda di immergerlo in acqua per 24 ore prima del primo utilizzo

ISTRUZIONI PER L'UTILIZZO DEI COMANDI



Quando è acceso il simbolo %, i dati presenti segnalano l'umidità dell'ambiente

Quando è acceso il simbolo C, i dati presenti segnalano la temperatura dell'ambiente

Quando è acceso il simbolo H significa che un timer è attivo. Premere il pulsante del timer per conoscere il tempo rimanente

I dati relativi all'umidità % rimangono attivi per 10 secondi, i dati relativi alla temperatura C rimangono attivi per 5 secondi, e così via.



Accensione: All'inserimento della presa di corrente, si udirà un beep, successivamente il prodotto si mette in modalità standby. Una volta premuto il pulsante, il prodotto si accende ed il monitor si illumina. Per spegnere il prodotto è sufficiente premere nuovamente il pulsante.



Funzione Ioni Negativi : Premere l'icona per attivare la funzione agli ioni negativi, premere nuovamente per disattivarla.



Modalità Notte : Premere l'icona per attivare la funzione notte, il display si oscurerà (l'icona funzione notte si oscurerà in 20 secondi). Premere qualsiasi icona per disattivare la funzione notte, il display si illuminerà nuovamente.



Timer : Premere l'icona per attivare il Timer impostando la durata da 1 a 10 ore. Il prodotto smetterà di funzionare automaticamente una volta trascorso il tempo impostato.



Regolazione di umidità: premere l'icona per impostare l'umidità desiderata; il prodotto smetterà di umidificare non appena l'umidità dell'ambiente raggiungerà la percentuale impostata. L'umidità può essere regolata dal 40% all'80%. Quando si imposta la funzione, il processo di umidificazione si protrarrà per 2 minuti indipendentemente dal raggiungimento o meno del tasso di umidità desiderato.



Modalità Auto: premere l'icona per attivare la modalità automatica. Questa funzione permetterà di mantenere un'umidità compresa tra 55%/68%. Il prodotto sceglierà il miglior tasso di umidità in relazione all'ambiente in cui è posizionato.



Regolazione Getto: Il getto di vapore può essere regolato in 3 diverse portate, dalla più debole (1) alla più potente (3)

PROCEDURA DI UTILIZZO

1. estrarre il serbatoio dell'acqua, svitare il tappo e riempire il serbatoio, infine riavvitare bene il tappo. Posizionare fermamente il serbatoio nell'apposito scompartimento sul prodotto.
2. verificare che la bocca di fuoriuscita del vapore e la maniglia siano correttamente fissate al serbatoio
3. collegare la presa di corrente e premere il pulsante di accensione, il prodotto si accenderà
4. seguire le seguenti istruzioni per utilizzare la funzione aroma:
 - estrarre il cassetto per l'aroma
 - versare qualche goccia di aroma solubile in acqua nella spugna
 - riposizionare il cassetto nell'apposito scompartimento sul prodotto, la funzione aroma si attiverà automaticamente alla messa in funzione del prodotto
 - per non utilizzare la funzione aroma o quando non si utilizza il prodotto per lungo tempo, rimuovere la spugna e pulirla accuratamente per poi riposizionarla nel cassetto

Attenzione: prima di sostituire il filtro dell'acqua, spegnere il prodotto e staccare la presa di corrente.

MANUTENZIONE

Assicurarsi che la presa di corrente sia staccata prima di pulire il prodotto

1. trasduttore
 - in alcune località la qualità dell'acqua è troppo dura e questo accelera la formazione di incrostazioni; per questo è necessario pulire spesso la superficie del trasduttore con prodotti specifici
 - una volta aggiunto un po' di detergente specifico sulla superficie esterna, mettere in ammollo in acqua il pezzo per 10-15 minuti
 - pulire con una spugna fino a che le incrostazioni non svaniscono
 - sciacquare un paio di volte con acqua
 - non pulire il trasduttore con materiali metallici o rigidi o raschietti per evitare di danneggiarlo

2. Interno del Serbatoio dell'acqua

Quando si utilizza con frequenza il prodotto, si raccomanda di pulire l'interno del serbatoio dell'acqua almeno due volte alla settimana

Utilizzare un panno morbido quando i lati del serbatoio presentano delle incrostazioni
Potrebbero esserci delle scaglie sulle pareti interne del serbatoio, che devono essere raschiate via
Non utilizzare prodotti acidi, alcalini

3. Vaschetta di raccolta dell'acqua

Rimuovere l'acqua depositata, pulire rimuovendo le incrostazioni, passare con un panno umido
Risciacquare

4. Filtro dell'aria

Si raccomanda di sostituire il filtro dell'aria ogni 6 mesi o ogni anno in relazione all'ambiente
Premere il coperchio del filtro per sbloccarlo e rimuoverlo, sostituendolo con uno nuovo. Fare attenzione ad avvolgere bene il filtro vecchio per evitare che si disperdano le impurità.

Ricordare di:

Controllare il voltaggio per assicurarsi che sia compatibile con quello richiesto dal prodotto
Assicurarsi che la presa sia correttamente inserita e funzionante
Rimuovere la presa assicurandola con le mani e non tirando il filo
Non utilizzare il prodotto in ambienti bagnati, come saune o bagni, potrebbe causare shock elettrici e fiamme
Non tenere mani o altri apparecchi a ridosso del prodotto per evitare che si danneggino
Non pulire il prodotto quando acceso oppure se è stato spento da poco poiché l'acqua calda all'interno o alcuni componenti potrebbero scottarvi.
Rimuovere il serbatoio dell'acqua prima di spostare il prodotto
Non utilizzare il prodotto alla luce diretta del sole o vicino a fonti di calore

DEPOSITO

1. Posizionare il prodotto in un luogo stabile e piano. Deve appoggiare su una superficie orizzontale e ferma.
2. Posizionare il prodotto lontano da fonti di calore. Non deve essere posizionato vicino a stufe, fornelli o camini. Evitare la diretta esposizione al sole.
3. Posizionare il prodotto lontano da mobili o dispositivi elettronici. Il rilascio di vapore non deve essere diretto verso mobili o dispositivi elettronici per evitare di danneggiarli con l'umidità.

CASI COMUNI

Se il prodotto non funziona correttamente, controllo nella seguente lista se esiste una soluzione prima di chiamare l'assistenza.

PROBLEMI COMUNI

Sintomo anormale	Causa	Azione
Indicatore luminoso spento, la purificazione dell'aria non funziona, non c'è vapore	<ul style="list-style-type: none">- La spina d'alimentazione non è collegata correttamente- L'interruttore non è acceso	<ul style="list-style-type: none">- Inserire la spina d'alimentazione correttamente- Accendere l'interruttore
Indicatore luminoso acceso, c'è purificazione dell'aria, non c'è vapore	<ul style="list-style-type: none">- Non c'è acqua nel serbatoio- L'umidostato automatico non è acceso- Il galleggiante non sta premuto in giù	<ul style="list-style-type: none">- Riempire il serbatoio dell'acqua- Avviare l'umidostato automatico- Premere il galleggiante in giù
Il vapore puzza	<ul style="list-style-type: none">- Nuova unità- L'acqua nel serbatoio non è pulito	<ul style="list-style-type: none">- Aprire il serbatoio d'acqua e lasciarlo aperto per 12 ore- Sostituire l'acqua nel serbatoio
Indicatore luminoso acceso, non c'è purificazione dell'aria, non c'è vapore	<ul style="list-style-type: none">- C'è troppa acqua nella base	<ul style="list-style-type: none">- Vuotare la base della macchina- Fermare il coperchio del serbatoio
Non c'è molto vapore	<ul style="list-style-type: none">- C'è calcare sul trasduttore- L'acqua è sporca o è stato conservato per troppo tempo	<ul style="list-style-type: none">- Pulire il trasduttore- Sostituire l'acqua

DIFETTI O DANNI

- Nel caso in cui si sospetta che l'apparecchio ha un difetto, se non funziona correttamente, se fa rumori anomali, se emette odori anormali o quando l'apparecchio stesso o il cavo di alimentazione sono danneggiati, chiamare il servizio post-vendita. Non utilizzare il prodotto fino a quando non sia stato controllato da un professionista. Non smontare mai da soli.
- In conformità con le normative europee, apparecchiature elettriche ed elettroniche non possono essere gettate come rifiuti domestici normale. Devono essere portate in un punto di raccolta specializzato nel vostro quartiere.



Fatto in China - Bo Jungle - Vox Populi BVBA – Asterdreef 13 -9040 GENT – BELGIO
www.bojungle.eu – info@bojungle.eu – Tel: +32 54 240 331 – Fax: +32 9 270 01 80

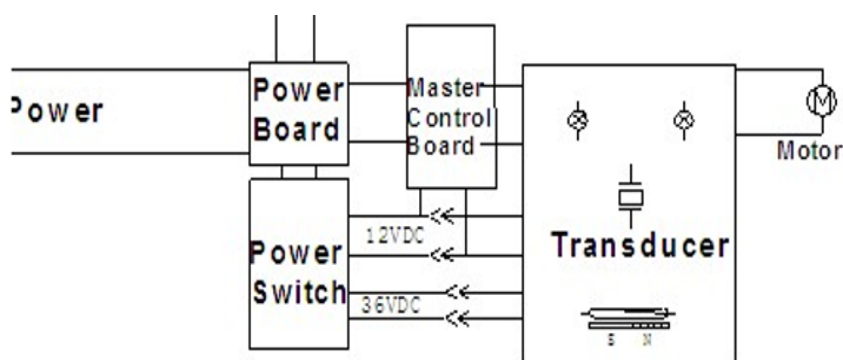
Děkujeme, že jste si vybrali digitální zvlhčovač a čističku vzduchu Bo Jungle; jsme přesvědčeni, že budete s naším produktem plně spokojeni.

Než začnete produkt používat, věnujte prosím několik minut pečlivému přečtení těchto pokynů a uschovejte je pro budoucí použití.

TECHNICKÁ SPECIFIKACE

Napětí	220 - 240V / 50-60 Hz
Spotřeba energie	25 W
Technologie	ionizace + HEPA filtr
Oblast zvlhčování	80m ³
Obsah nádoby na vodu	5.0 litrů (nepřetržitý provoz po dobu 17-24 hodin)
Kapacita páry	300 ml/h

SCHÉMA OKRUHU



DŮLEŽITÉ BEZPEČNOSTNÍ UPOZORNĚNÍ – PROSÍME, ČTĚTE POZORNĚ:

- Před prvním použitím výrobku zkontrolujte, zda napětí napájecího zdroje odpovídá napětí uvedenému na spodní straně výrobku.
- Spotřebič vždy umístěte mimo dosah dětí. Zkontrolujte, zda je napájecí kabel mimo dosahu dětí. Nedovolte jim hrát si s výrobkem.
- Před zapnutím výrobku vždy zkontrolujte, zda je v nádrži voda. Nikdy nepřidávejte vodu přímo do základny přístroje.
- Ujistěte se, že je výrobek umístěn na rovném a suchém povrchu a že v přímé blízkosti spotřebiče nejsou žádné zdroje tepla, jako je okno, radiátor nebo trouba aj.
- Vyvarujte se rozprašování páry na nábytek nebo na jiné elektrické spotřebiče – mohlo by dojít k jejich poškození.
- Nikdy neponořujte přístroj do vody nebo jiné kapaliny. Nikdy jej neumísťujte přímo pod kohoutek s tekoucí vodou.
- Zabraňte vniknutí vody do základny spotřebiče, mohlo by to poškodit vnitřní části a způsobit nebezpečí úrazu elektrickým proudem. Z tohoto důvodu nepohybujte zařízením, pokud je v nádrži velké množství vody, voda by mohla přetéct a vylít se do základny.
- Do vody ve spotřebiči nikdy nepřidávejte žádné další jiné tekutiny ani jiné látky.
- Přístroj sami nikdy nedemontujte, jakákoli úprava tohoto zařízení bez povolení výrobce může být nebezpečná.
- Během provozu přístroje se dotýkejte pouze ovládacího panelu. Nikdy se nedotýkejte vody v nádrži.
- Před čištěním, přemísťováním, vyprázdňováním nebo naplněním spotřebiče se vždy ujistěte, že je napájecí kabel odpojen z elektrické sítě.
- Spotřebič používejte vždy při běžné pokojové teplotě, nepoužívejte jej v chladném prostředí. Pokud voda v zařízení zamrzla, přístroj nepoužívejte, dokud led neroztaje.
- Doporučuje se do zvlhčovače používat převařenou nebo destilovanou vodu. Nenaplňujte nádobu na vodu vodou teplejší než 40°C, mohlo by dojít ke změně barvy spotřebiče nebo k nesprávné funkci.
- Nebudete-li přístroj delší dobu používat, vždy jej odpojte z elektrické sítě.
- Nikdy nezapínajte ani nevypínajte přístroj mokrou rukou, mohlo by dojít k úrazu elektrickým proudem.



DŮLEŽITÉ

Děti nebo osoby s tělesným, smyslovým nebo mentálním postižením by neměly mít dovoleno používat tento spotřebič, pokud nejsou pod dohledem dospělé osoby odpovědné za jejich bezpečnost.

HEPA FILTR

Toto zařízení obsahuje HEPA filtr (High Efficiency Particulate Air), který zachytí 99,99% všech znečišťujících látek a alergenů v ovzduší, které mají velikost alespoň 0,3 um. Může být použit ke snížení znečišťujících látek v ovzduší - jako je prach, chemické látky; tabákový kouř; pachy, jako jsou pachy z domácích zvířat nebo barvy; alergeny (zvířecí lupy, roztoče, atd), stejně jako mikroorganismy.

AROMA PAD ZÁSOBNÍK

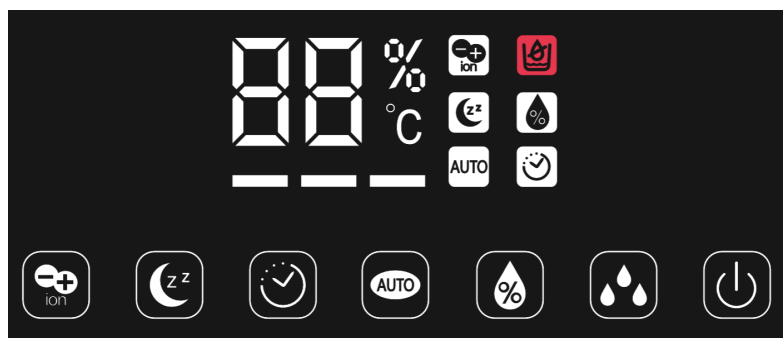
Tento přístroj je vybaven zásobníkem aroma pad. V případě, že budete chtít použít éterických olejů, jako je levandule, eukalyptus, apod, pak při použití zvlhčovače, prosím, aplikujte několik kapek esenciálního oleje na daný kus pěny, nebo tkáň nebo kus bavlny a vložte jej takto do aroma pad zásobníku.

DŮLEŽITÉ POKYNY

Upozornění: Dříve, než začnete plnit nádobu na vodu, vypněte spotřebič a odpojte jej od elektrické sítě.

1. Tento spotřebič používejte v prostředí s teplotou mezi 5 až 40°C a relativní vlhkostí nižší než 80%RH.
3. Do spotřebiče používejte pouze vodu, jejíž teplota je nižší než 40°C (doporučuje se čistá voda, bez jakýchkoliv přísad).
4. Používáte-li přístroj po delší pauze, vyčistěte nádobu na vodu a vývod páry.
5. Pokud je přístroj používán s vodním filtrem, doporučujeme před prvním použitím filtr na 24 hodin namočit.

POPIS IKON



Svítili kontrolka „%“, je zobrazena vlhkost prostředí v digitální podobě.

Svítili kontrolka „°C“, je zobrazena teplota prostředí v digitální podobě.

Svítili kontrolka „H“, znamená to, že je nastavený časovač, stisknutím tlačítka časovače zobrazíte zbývající dobu.

Údaje o vlhkosti „%“ zůstávají zobrazené po dobu 10 sekund, údaje o teplotě „°C“ zůstávají po dobu 5 sekund, údaje se opakují.



Napájení: Zasuňte napájecí kabel, ozve se zvukový signál a přístroj se přepne do pohotovostního režimu. Po stisknutí tohoto tlačítka se přístroj spustí a zapne se LED displej. Opětovným stisknutím tohoto tlačítka přístroj přestane pracovat a přejde do pohotovostního režimu.



Záporné ionty: Stisknutím tohoto tlačítka spustíte funkci záporných iontů, dalším stisknutím funkci záporných iontů zastavíte.



Noční režim: Stisknutím tohoto tlačítka spustíte přístroj v nočním režimu, všechny displeje budou ztlumené (ikona režimu spánku se na displeji ztlumí za 20 sekund). Stisknutím libovolné klávesy noční režim ukončíte a obnovíte zobrazení.



Časovač: Stisknutím tohoto tlačítka spustíte funkci nastavení časovače s možností nastavení od 1 do 10 hodin, přístroj přestane automaticky pracovat, jakmile je dosaženo nastavené doby.



Vlhkost: Stisknutím tohoto tlačítka nastavíte požadovanou vlhkost. Jakmile bude tato vlhkost dosažena, přístroj přestane pracovat. Vlhkost lze nastavit v rozmezí od 40% do 80% RH. Po spuštění bude přístroj zvlhčovat po dobu 2 minut bez ohledu na nastavenou vlhkost.



Automatický režim: Stisknutím tohoto tlačítka přejde stroj do režimu automatického provozu. Tato funkce udržuje relativní vlhkost na úrovni 55% ~ 68%. Přístroj sám zvolí nejlepší metodu zvlhčování podle vlhkosti vzduchu v místnosti.



Intenzita vystupující páry: Stisknutím tohoto tlačítka lze nastavit intenzitu páry na úroveň 1, 2 nebo 3. 1 nejmenší intenzita, 3 nejvyšší intenzita.

NÁVOD K POUŽITÍ

1. Vyjměte nádržku na vodu z přístroje, odšroubujte víko a naplňte ji vodou, poté víko dobře zašroubujte. Nádrž na vodu položte zpět těsně na přístroj.
2. Zkontrolujte, zda jsou výstupní tryska páry a kryt držadla správně namontovány na nádobě na vodu.
3. Připojte napájecí kabel a poté stiskněte tlačítko ON/OFF, přístroj začne pracovat.
4. Při použití funkce aroma postupujte podle následujících kroků:
 - o Vyjměte aroma zásobník.
 - o Na pěnovou podložku nakapejte aroma olej rozpustný ve vodě.
 - o Zasuňte aroma zásobník zpět do přístroje, aroma funkce se automaticky spustí, když zapnete přístroj.
 - o Chcete-li zastavit aroma funkci nebo pokud přístroj nebudete delší dobu používat, vyjměte pěnovou podložku z aroma zásobníku, vyčistěte ji, vložte ji zpět do přístroje.

Upozornění: Před výměnou filtru vypněte napájení a odpojte zařízení od elektrické sítě.

ÚDRŽBA

Před čištěním vždy zkontrolujte, zda je zařízení odpojeno od elektrické sítě.

1. Transduktor

- Přístroj je zapotřebí pravidelně odvápnovat, zejména při používání tvrdší vody.
- Nalijte malé množství čisticího prostředku na povrch transduktoru (množství upravte podle míry usazenin vodního kamene a jiných materiálů), poté do nádoby vlijte vodu a po dobu 10-15 minut nechte působit.
- Vpřípadě potřeby velmi opatrně vyčistěte jemným kartáčkem.
- Dvakrát vypláchněte čistou vodou.
- Transduktor nikdy nečistěte žádnými kovovými nebo tvrdými předměty, mohlo by dojít k jeho poškrábání a poškození.

2. Vnitřek nádoby na vodu

- Vnitřní část nádoby na vodu čistěte minimálně dvakrát týdně, používáte-li často přístroj.
- Umývejte pouze jemným, měkkým hadříkem a vysušte.

V případě potřeby použijte jemný čisticí prostředek. Poté přístroj důkladně vymyjte a vypláchněte čistou vodou.

Do nádoby na vodu nikdy nelijte žádné abrazivní prostředky, kyseliny ani bělidla, mohlo by to způsobit k poškození nádoby.

3. Základna

Vyjměte nádobu na vodu ze základny. Základnu vyčistěte jemným kartáčkem a poté otřete navlhčeným hadříkem. Vysušte.

4. Vzduchový filtr

Doporučujeme vyměnit vzduchový filtr každých půl roku až jeden rok v závislosti na frekvenci používání. Stiskněte a odejměte kryt vzduchového filtru, filtr vyndejte a vyměňte jej za nový. Starý filtr řádně zabalte, abyste zabránili druhotnému znečištění.

Důležité:

- Pečlivě zkontrolujte napětí, abyste se ujistili, že vaše domácí napájecí napětí odpovídá produktu.
- Zajistěte, aby se elektrický kabel řádně zasunul do elektrické zásuvky.
- Síťový kabel vždy vytahujte ze zásuvky rukou uchopením za zástrčku, nikoliv za kabel.
- Nepoužívejte výrobek ve vlhkém prostředí, jako jsou lázně a koupelny, může to způsobit úraz elektrickým proudem a požár.
- Během provozu se přístroje nedotýkejte, ani na něj nepokládejte jiné předměty, mohlo by dojít k poškození nebo k úrazu.
- Během provozu nebo krátce po jeho ukončení přístroj nečistěte, mohlo by dojít k opaření.
- Dříve, než začnete přístrojem přemísťovat, vylijte nádobu na vodu.
- Přístroj nepoužívejte v blízkosti zdrojů tepla.
- Zjistíte-li poškození přístroje nebo síťového kabelu, přístroj nepoužívejte, obraťte se na pozáruční servis.
- Při čištění nebo v případě, že nebudete přístroj delší dobu používat, jej odpojte od elektrické sítě.
- Nedotýkejte se elektrické zástrčky nebo kabelu mokřými rukama, mohlo by dojít k úrazu elektrickým proudem.
- Do přístroje nekládejte žádné předměty.
- Nečistěte základnu přístroje, je-li voda ještě příliš horká.
- Nedávejte ruce do blízkosti páry, která vychází z přístroje.
- Uchovávejte přístroj mimo dosahu dětí.
- Pokud je přístroj poškozen nebo správně nefunguje, obraťte se na pozáruční servis.

UMÍSTĚNÍ PŘÍSTROJE

1. Přístroj pokládejte pouze na pevné a rovné místo.

Zvlhčovač by měl být umístěn na vodorovném a stabilním povrchu.

2. Přístroj umístěte vždy v dostatečné vzdálenosti od zdrojů tepla.

Zvlhčovač by měl být umístěn daleko od zdrojů tepla, jako jsou kamna, krb, přímé sluneční záření atd.

3. Přístroj umístěte vždy daleko od nábytku a elektronického zařízení.

MIha vycházející ze zvlhčovače by neměla směřovat směrem k nábytku a elektrickému zařízení, mohlo by dojít ze zvlhnutí a poškození.

MOŽNÉ PROBLÉMY A JEJICH ŘEŠENÍ

Pokud se vyskytne závada, řiďte se následujícími pokyny:

Problém	Možné příčiny	Řešení
Nevychází žádná pára	Špatně zastrčený kabel	Kabel zasuňte do zásuvky
	Špatně zapnutý vypínač	Zapněte hlavní tlačítko
	V nádrži není voda	Nalijte vodu
	Málo vody v nádrži	Přidejte vodu
Zvláštní vůně páry	Nový přístroj	Odejměte kryt nádoby na vodu a ponechte nádobu na chladném a suchém místě po dobu 12 hodin
	Špinavá voda nebo je voda v nádrži již příliš dlouho	Vyčistěte nádobu na vodu a naplňte ji čistou vodou
Zvlhčovač vydává zvláštní zvuk	Nádrž na vodu je v nesprávné poloze	Dejte nádobu do správné pozice
	Málo vody v nádrži	Přidejte vodu
	Přístroj je umístěn na nesprávném místě	Přístroj umístěte na rovný a stabilní povrch
Pára špatně vychází ze spotřebiče	Výstup páry není čistý.	Umyjte výstup páry a znovu jej nasadte.

VADA NEBO POŠKOZENÍ

- V případě, že máte podezření, že váš spotřebič má závadu nebo poruchu, pokud vydává neobvyklé zvuky, uvolňuje neobvyklé pachy, kouř, nebo jsou-li samotný přístroj nebo napájecí kabel poškozeny, obraťte se na poprodejní servis. Nepoužívejte jej, dokud nebude zkontrolován odborníkem. Nikdy se nepokoušejte opravit ho sami.
- V souladu s evropskými předpisy, odpadních elektrických a elektronických zařízeních (OEEZ) nesmí být likvidován běžným domácím odpadem. Je třeba ho vzít do specializované sběrný ve vašem okolí.



Vyrobena v Číně – Bo Jungle - Vox Populi BVBA – Asterdreef 13 -9040 GENT – BELGIE
www.bojungle.eu – info@bojungle.eu – Tel: +32 54 240 331 – Fax: +32 9 270 01 80

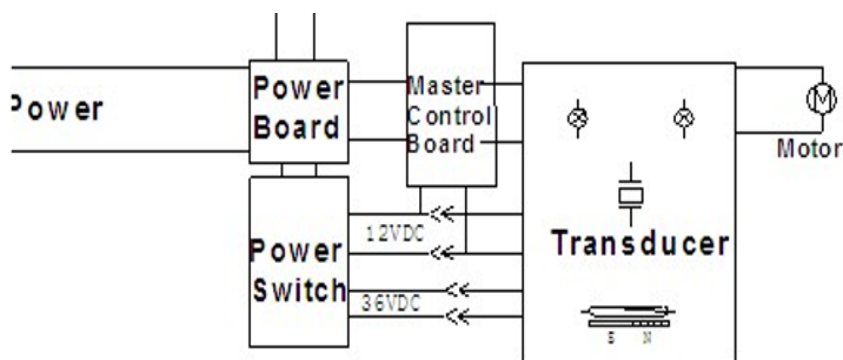
Ďakujeme, že ste si vybrali digitálny zvlhčovač a čističku vzduchu Bo Jungle; sme presvedčení, že budete s naším produktom plne spokojní.

Než začnete produkt používať, venujte prosím niekoľko minút starostlivému prečítaní týchto pokynov a odložte ich pre budúce použitie.

TECHNICKÁ ŠPECIFIKÁCIA

Napätie	220 - 240V / 50-60 Hz
Spotreba energie	25 W
Technológie	ionizácie + HEPA filter
Oblasť zvlhčovanie	80m ³
Obsah nádoby na vodu	5.0 litrov (nepretržitá prevádzka po dobu 17-24 hodín)
Kapacita páry	300 ml/h

SCHÉMA OKRUHU



DÔLEŽITÉ BEZPEČNOSTNÉ UPOZORNENIE - PROSÍME, ČÍTAJTE POZORNE:

- Pred prvým použitím výrobku skontrolujte, či napätie napájacieho zdroja súhlasí s napätím na spodnej strane výrobku.
- Spotrebič vždy umiestnite mimo dosahu detí. Skontrolujte, či je napájací kábel mimo dosahu detí. Nedovoľte im hrať sa s výrobkom.
- Pred zapnutím výrobku vždy skontrolujte, či je v nádrži voda. Nikdy nepridávajte vodu priamo do základne prístroja.
- Uistite sa, že je výrobok umiestnený na rovnom a suchom povrchu a že v priamej blízkosti spotrebiča nie sú žiadne zdroje tepla, ako je okno, radiátor alebo rúra ai.
- Vyvarujte sa rozprašovanie pary na nábytok alebo na iné elektrické spotrebiče - mohlo by dôjsť k ich poškodeniu.
- Nikdy neponárajte prístroj do vody alebo inej kvapaliny. Nikdy ho neumiestňujte priamo pod kohútik s tečúcou vodou.
- Zabráňte vniknutiu vody do základne spotrebiča, mohlo by to poškodiť vnútorné časti a spôsobiť nebezpečenstvo úrazu elektrickým prúdom. Z tohto dôvodu nepohybujte zariadením, pokiaľ je v nádrži veľké množstvo vody, voda by mohla pretiecť a vyliť sa do základne.
- Do vody v spotrebiči nikdy nepridávajte žiadne ďalšie inej tekutiny ani iné látky.
- Prístroj sami nikdy nerozoberajte, akákoľvek úprava tohto zariadenia bez povolenia výrobcu môže byť nebezpečná.
- Počas prevádzky prístroja sa dotýkajte iba ovládacieho panelu. Nikdy sa nedotýkajte vody v nádrži.
- Pred čistením, premiestňovaním, vyprázdňovaním alebo naplnením spotrebiča sa vždy uistite, že je napájací kábel odpojený z elektrickej siete.
- Spotrebič používajte vždy pri bežnej izbovej teplote, nepoužívajte ho v chladnom prostredí. Ak voda v zariadení zamrzla, prístroj nepoužívajte, kým sa ľad neroztopí.
- Odporúča sa do zvlhčovača používať prevarenú alebo destilovanú vodu. Nenaplnujte nádobu na vodu vodou teplejšou ako 40°C, mohlo by dôjsť k zmene farby spotrebiča alebo k nesprávnej funkcii.
- Ak nebudete prístroj dlhšiu dobu používať, vždy ho odpojte z elektrickej siete.
- Nikdy nezapínajte ani nevypínajte prístroj mokrou rukou, mohlo by dôjsť k úrazu elektrickým prúdom.



DŮLEŽITÉ

Deti alebo osoby s telesným, zmyslovým alebo mentálnym postihnutím by nemali mať dovolené používať tento spotrebič, pokiaľ nie sú pod dohľadom dospeléj osoby zodpovednej za ich bezpečnosť.

HEPA FILTER

Toto zariadenie obsahuje HEPA filter (High Efficiency Particulate Air), ktorý zachytí 99,99% všetkých znečisťujúcich látok a alergénov v ovzduší, ktoré majú veľkosť min. 0,3 um. Môže byť použitý na zníženie znečisťujúcich látok v ovzduší - ako je prach, chemické látky; tabakový dym; pachy, ako sú pachy z domácich zvierat alebo farby; alergény (zvierací lupy, roztoče, atď.), rovnako ako mikroorganizmy.

AROMA ZÁSOBNÍK

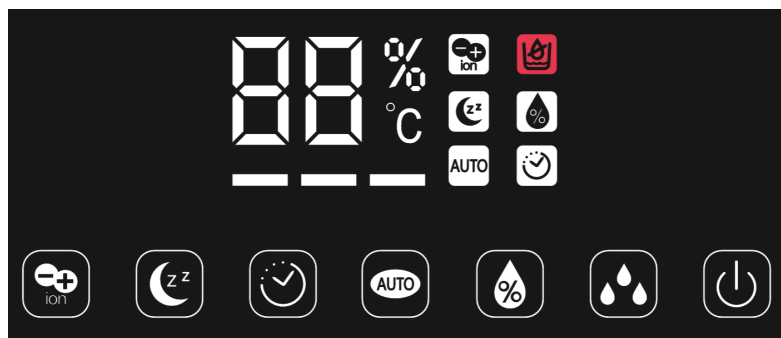
Tento prístroj je vybavený aróma zásobníkom. Ak budete chcieť použiť éterické oleje, ako je levanduľa, eukalyptus apod., aplikujte niekoľko kvapiek esenciálneho oleja na penovú podložku, alebo na kúsok bavlny a vložte ho do aróma zásobníka. NIKDY nepridávajte éterické oleje priamo do vody v nádrži, hrozí poškodenie zariadenia!

DŮLEŽITÉ POKYNY

Upozornenie: Skôr, než začnete plniť nádobu na vodu, vypnite spotrebič a odpojte ho od elektrickej siete.

1. Tento spotrebič používajte v prostredí s teplotou medzi 5 až 40°C a relatívnou vlhkosťou nižšou ako 80% RH.
3. Do spotrebiča používajte iba vodu, ktorej teplota je nižšia ako 40°C (odporúča sa čistá voda, bez akýchkoľvek prísad).
4. Ak používate prístroj po dlhšej pauze, vyčistite nádobu na vodu a vývod pary.
5. Ak je prístroj používaný s vodným filtrom, odporúčame pred prvým použitím filter na 24 hodín namočiť.

POPIS IKON



Ak svieti kontrolka "%", je zobrazená vlhkosť prostredia v digitálnej podobe.

Ak svieti kontrolka "°C", je zobrazená teplota prostredia v digitálnej podobe.

Ak svieti kontrolka "H", znamená to, že je nastavený časovač, stlačením tlačidla časovača zobrazíte zostávajúcu dobu.

Údaje o vlhkosti "%" zostávajú zobrazené po dobu 10 sekúnd, údaje o teplote "°C" zostávajú po dobu 5 sekúnd, údaje sa opakujú.



Napájanie: Zasuňte napájací kábel, ozve sa zvukový signál a prístroj sa prepne do pohotovostného režimu. Po stlačení tohto tlačidla sa prístroj spustí a zapne sa LED displej. Opätovným stlačením tohto tlačidla prístroj prestane pracovať a prejde do pohotovostného režimu.



Záporné ióny: Stlačením tohto tlačidla spustíte funkciu záporných iónov, ďalším stlačením funkciu záporných iónov zastavíte.



Nočný režim: Stlačením tohto tlačidla spustíte prístroj v nočnom režime, všetky displeje budú stlmené (ikona režimu spánku sa na displeji stlmí za 20 sekúnd). Stlačením ľubovoľnej klávesy nočný režim ukončíte a obnovíte zobrazenie.



Časovač: Stlačením tohto tlačidla spustíte funkciu nastavenie časovača s možnosťou nastavenia od 1 do 10 hodín, prístroj prestane automaticky pracovať, keď sa dosiahne nastavenej doby.



Vlhkosť: Stlačením tohto tlačidla nastavíte požadovanú vlhkosť. Akonáhle bude táto vlhkosť dosiahnutá, prístroj prestane pracovať. Vlhkosť je možné nastaviť v rozmedzí od 40% do 80% RH. Po spustení bude prístroj zvlhčovať počas 2 minút bez ohľadu na nastavenú vlhkosť.



Automatický režim: Stlačením tohto tlačidla prejde stroj do režimu automatickej prevádzky. Táto funkcia udržuje relatívnu vlhkosť na úrovni 55% ~ 68%. Prístroj sám zvolí najlepšiu metódu zvlhčovania podľa vlhkosti vzduchu v miestnosti.



Intenzita vystupujúcej pary: Stlačením tohto tlačidla je možné nastaviť intenzitu pary na úroveň 1, 2 alebo 3. 1 najmenšia intenzita, 3 najvyššie intenzita.

NÁVOD NA POUŽITIE

1. Vyberte nádržku na vodu z prístroja, odskrutkujte veko a naplňte ju vodou, potom veko dobre zaskrutkujte. Nádrž na vodu položte späť tesne na prístroj.
2. Skontrolujte, či sú výstupná tryska pary a kryt držadla správne namontované na nádobe na vodu.
3. Pripojte napájací kábel a potom stlačte tlačidlo ON/OFF, prístroj začne pracovať.
4. Pri použití funkcie aróma postupujte podľa nasledujúcich krokov:
 - Vyberte aróma zásobník.
 - Na penovú podložku nakvapkajte aróma olej rozpustný vo vode.
 - Zasuňte aróma zásobník späť do prístroja, aróma funkcie sa automaticky spustí, keď zapnete prístroj.
 - Ak chcete zastaviť aróma funkciu alebo ak prístroj nebudete dlhšiu dobu používať, vyberte penovú podložku z aróma zásobníka, vyčistite ju, vložte ju späť do prístroja.

Upozornenie: Pred výmenou filtra vypnite napájanie a odpojte zariadenie od elektrickej siete.

ÚDRŽBA

Pred čistením vždy skontrolujte, či je zariadenie odpojené od elektrickej siete.

1. Transduktor

- Prístroj je potrebné pravidelne odvápnovať, najmä pri používaní tvrdšie vody.
- Nalejte malé množstvo čistiaceho prostriedku na povrch transduktora (množstvo upravte podľa miery usadenín vodného kameňa a iných materiálov), potom do nádoby vlejte vodu a po dobu 10-15 minút nechajte pôsobiť.
- V prípade potreby veľmi opatrne vyčistite jemnou kefkou.
- Dvakrát vypláchnite čistou vodou.
- Transduktor nikdy nečistite žiadnymi kovovými alebo tvrdými predmetmi, mohlo by dôjsť k jeho poškriabaniu a poškodeniu.

2. Vnútro nádoby na vodu

- Vnútrošnú časť nádoby na vodu čistite minimálne dvakrát týždenne, ak používate často prístroj.
- Umývajte iba jemnou, mäkkou handričkou a vysušte.

V prípade potreby použite jemný čistiaci prostriedok. Potom prístroj dôkladne vymyte a vypláchnite čistou vodou.

Do nádoby na vodu nikdy nelejte žiadne abrazívne prostriedky, kyseliny ani bieliná, mohlo by to spôsobiť k poškodeniu nádoby.

3. Základňa

Vyberte nádobu na vodu zo základne. Základňu vyčistite jemnou kefkou a potom utrite navlhčenou handričkou. Vysušte.

4. Vzduchový filter

Odporúčame vymeniť vzduchový filter každých pol roka až jeden rok v závislosti na frekvencii používania. Stlačte a odstráňte kryt vzduchového filtra, filter vyberte a vymeňte ho za nový. Starý filter riadne zabaľte, aby ste zabránili druhotnému znečisteniu.

Dôležité:

- Starostlivo skontrolujte napätie, aby ste sa uistili, že vaše domáce napájacie napätie zodpovedá produktu.
- Zabezpečte, aby sa elektrický kábel riadne zasunul do elektrickej zásuvky.
- Sieťový kábel vždy vyťahujte zo zásuvky rukou uchopením za zástrčku, nie za kábel.
- Nepoužívajte výrobok vo vlhkom prostredí, ako sú kúpeľne, môže to spôsobiť úraz elektrickým prúdom a požiar.

- Počas prevádzky sa prístroja nedotýkajte, ani naň nekladte iné predmety, mohlo by dôjsť k poškodeniu alebo k úrazu.
- Počas prevádzky alebo krátko po jeho ukončení prístroj nečistite, mohlo by dôjsť k obareniu.
- Skôr, než začnete prístrojom premiestňovať, vylejte nádobu na vodu.
- Prístroj nepoužívajte v blízkosti zdrojov tepla.
- Ak spozorujete poškodenie prístroja alebo sieťového kábla, prístroj nepoužívajte, obráťte sa na pozáručný servis.
- Pri čistení alebo v prípade, že sa zariadenie nebude dlhšiu dobu používať, ho odpojte od elektrickej siete.
- Nedotýkajte sa elektrickej zástrčky alebo kábla mokrými rukami, mohlo by dôjsť k úrazu elektrickým prúdom.
- Do prístroja nekladajte žiadne predmety.
- Nečistite základňu prístroja, ak je voda ešte príliš horúca.
- Nedávajte ruky do blízkosti pary, ktorá vychádza z prístroja.
- Uchovávajte prístroj mimo dosahu detí.
- Ak je prístroj poškodený alebo správne nefunguje, obráťte sa na pozáručný servis.

UMIESTNENIE PRÍSTROJA

1. Prístroj pokladajte len na pevné a rovné miesto.

Zvlhčovač by mal byť umiestnený na vodorovnom a stabilnom povrchu.

2. Prístroj umiestnite vždy v dostatočnej vzdialenosti od zdrojov tepla.

Zvlhčovač by mal byť umiestnený ďaleko od zdrojov tepla, ako sú kachle, krb, priame slnečné žiarenie atď.

3. Prístroj umiestnite vždy ďaleko od nábytku a elektronického zariadenia.

Hmla vychádzajúca zo zvlhčovača by nemala smerovať smerom k nábytku a elektrickému zariadeniu, mohlo by dôjsť zo zvlhnutiu a poškodenia.

MOŽNÉ PROBLÉMY A ICH RIEŠENIA

Ak sa vyskytne porucha, riadte sa nasledujúcimi pokynmi:

Problém	Možné príčiny	Riešenie
Nevychádza žiadna para	Zle zastrčený kábel	Kábel zasunúť do zásuvky
	Zle zapnutý vypínač	Zapnite hlavné tlačidlo
	V nádrži nie je voda	Nalejte vodu
	Málo vody v nádrži	Pridajte vodu
Zvláštna vôňa pary	Nový prístroj	Odoberte kryt nádoby na vodu a ponechajte nádobu na chladnom a suchom mieste po dobu 12 hodín
	Špinavá voda alebo je voda v nádrži už príliš dlho	Vyčistite nádobu na vodu a naplňte ju čistou vodou
Zvlhčovač vydáva zvláštny zvuk	Nádrž na vodu je v nesprávnej polohe	Dajte nádobu do správnej pozície
	Málo vody v nádrži	Pridajte vodu
	Prístroj je umiestnený na nesprávnom mieste	Prístroj umiestnite na rovný a stabilný povrch
Para zle vychádza zo spotrebiča	Výstup pary nie je čistý.	Umyte výstup pary a znovu ho nasadte.

CHYBY ALEBO POŠKODENIE

- Ak máte podozrenie, že váš spotrebič má vadu alebo poruchu, ak nefunguje správne, alebo ak vydáva nezvyčajný zvuk alebo vydáva zápach počas prevádzky alebo keď je poškodený samotný spotrebič alebo napájací kábel, obráťte sa na popredajný servis. Nepoužívajte ho, kým ho neskontroluje odborník. V žiadnom prípade ho nikdy sami nerozoberajte.

- V súlade s európskymi predpismi nemožno likvidovať elektronické a elektrické zariadenia (WEEE) ako bežný domáci odpad. Musia byť odvezené na špecializované zberné miesto vo Vašom okolí.



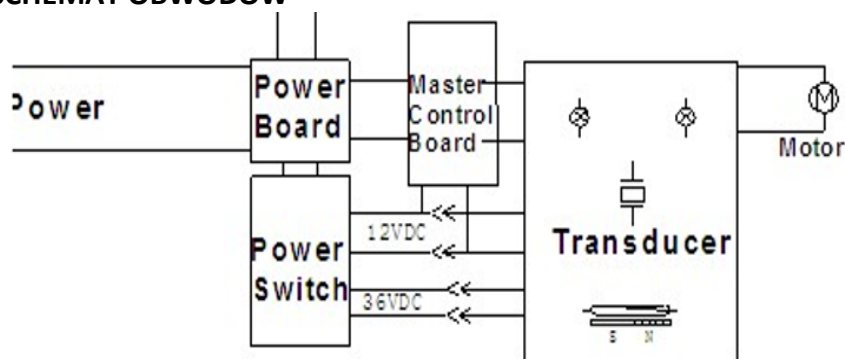
Made In China – Bo Jungle - Vox Populi BVBA – Brambroek 23B – 9500 Geraardsbergen – BELGIUM
www.bojungle.eu – info@bojungle.eu – Tel: +32 54 240 331 – Fax: +32 9 270 01 80

Dziękujemy za wybranie Bo Jungle cyfrowego nawilżacza i oczyszczacz powietrza; jesteśmy przekonani, że będą Państwo w pełni zadowoleni z naszych produktów. Prosimy poświęcić kilka minut, aby dokładnie zapoznać się z niniejszą instrukcją przed rozpoczęciem korzystania z produktu i zachować ją do wykorzystania w przyszłości.

TECHNICZNA SPECYFIKACJA

Napięcie	220 - 240V / 50-60 Hz
Pobór energii	25 W
Obszar	80M3
Zawartość zbiornika na wodę	5.0 liter (może działać nieprzerwanie przez 17-24 godzin)
Pojemność mgły	300 ml/h

SCHEMAT OBWODÓW



WAŻNE INSTRUKCJE BEZPIECZEŃSTWA - PROSIMY DOKŁADNIE ZAPOZNAĆ SIĘ Z NIMI:

- Przed rozpoczęciem korzystania z urządzenia po raz pierwszy, należy sprawdzić, czy napięcie zasilania elektrycznego odpowiada napięciu, która jest wymieniona w dolnej części urządzenia.
- Zawsze umieszczać urządzenia w miejscu niedostępnym dla dzieci. Upewnij się, że przewód zasilający jest również w miejscu niedostępnym dla dzieci. Nie pozwalają im bawić się urządzeniem.
- Zawsze upewnij się, że jest woda w zbiorniku przed włączeniem urządzenie. Nie należy dodawać wody bezpośrednio do podstawy urządzenia.
- Upewnij się, że urządzenie jest umieszczone na płaskiej i suchej powierzchni i że nie istnieją żadne źródła ciepła, takie jak okna, kaloryfer lub piec w bezpośrednim sąsiedztwie urządzenia.
- Unikać rozpylania pary na inne urządzenia elektryczne, meble w taki sposób, aby ich nie uszkodzić.
- Nigdy nie zanurzać urządzenia w wodzie lub innej cieczy. Nigdy nie należy umieszczać go bezpośrednio pod kranem.
- Unikaj wody do podstawy urządzenia, ponieważ może to doprowadzić do uszkodzenia elementów wewnętrznych i spowodować niebezpieczeństwo porażenia prądem. Z tego powodu nie należy przenieść urządzenie, podczas gdy jest dużo wody w zbiorniku, gdyż woda może przelewać i wprowadzić do bazy.
- Nigdy nie dodawać żadnych innych produktów lub substancji do wody w urządzeniu.
- Wszelkie modyfikacje tego urządzenia bez zgody producenta może okazać się niebezpieczne.
- Podczas pracy urządzenia, dotknij tylko panel sterowania. Nie należy dotykać wody w zbiorniku.
- Zawsze upewnij się, że przewód zasilający jest odłączony przed czyszczeniem, opróżniania i napełniania urządzenia.
- Uważać, aby nie porysować oscylacyjnego przetwornika twardym przedmiotem.
- Zawsze używaj urządzenia w normalnej temperaturze pokojowej, unikać go w niskich temperaturach. Jeśli woda w urządzeniu została zamrożona, nie używaj go, dopóki lód nie został wyczyszczony.
- Korzystnie stosuj przegotowaną lub wodą destylowaną w nawilżaczu. Nie napełniać zbiornika wody powyżej 40 ° C, aby uniknąć odbarwienia lub odkształcenia.
- Odłączyć urządzenie, gdy nie jest używany przez dłuższy okres czasu.
- Nie włączaj urządzenia lub wyłączyc mokrą ręką, gdyż w przeciwnym razie może wystąpić ryzyko porażenia prądem.



UWAGA !

Dzieci lub osoby z upośledzeniami fizycznymi, sensorycznymi lub umysłowymi nie powinny być dopuszczone do korzystania z tego urządzenia, chyba że są one nadzorowane przez osobę dorosłą, która jest odpowiedzialna za ich bezpieczeństwo.

HEPA FILTR

Urządzenie zawiera filtr HEPA (High Efficiency Particulate Air), który usuwa 99,99% wszystkich cząstek zanieczyszczeń i alergenów w powietrzu, które mają wielkość wynoszącą co najmniej 0,3 um. Może być stosowany w celu zmniejszenia skutków lub do filtrowania powietrza z zanieczyszczeń takich jak kurz; substancje chemiczne; dym tytoniowy; zapachy takie jak zapachy ze zwierząt lub farby; (alergeny, łupież zwierząt, roztocza kurzu, etc.), jak również mikroorganizmy.

AROMATERAPIA – taca do aromaterapii

To urządzenie jest wyposażone w tacę -podkładkę do aromatu. W przypadku, gdy chcesz, aby rozproszyć olejki eteryczne, takie jak lawenda, eukaliptus itp podczas korzystania z nawilżacza, należy posypać kilka kropel olejku na dołączonej karcie z pianki lub na kawałku bawełny i włożyć ją do aroma-tacy.

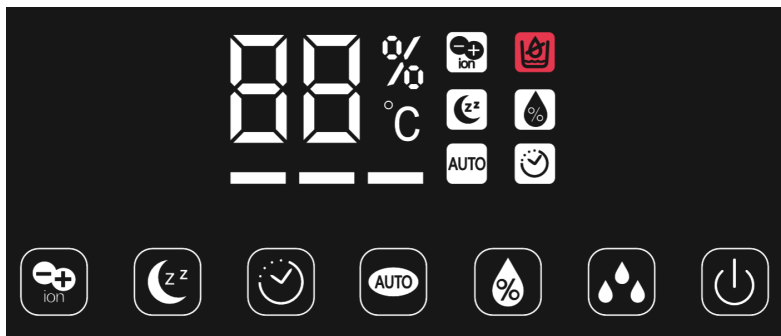
UWAGA! NIGDY dodawać olejków eterycznych do wody wewnątrz zbiornika, ponieważ może to poważnie uszkodzić urządzenie!

INSTRUKCJA OBSŁUGI

Ostrzeżenie: przed napełnieniem zbiornika wodą należy odłączyć urządzenie od prądu.

1. Nawilżacz pracuje w pomieszczeniu, w którym temperatura wynosi od 5 do 40 stopni Celsjusza, a wilgotność względna wynosi mniej niż 80% RH.
2. Używaj czystej wody o temperaturze poniżej 40 stopni (zalecana jest czysta woda)
3. Po dłuższym użyciu należy ponownie wyczyścić zbiornik wody i kanał ściekowy.
4. Jeśli urządzenie jest używane z filtrem wody, zaleca się moczenie filtra przez 24 godziny przed pierwszym użyciem.

PRZYCISKI



Gdy lampka Symbol „%” świeci się, dane cyfrowe oznaczają wilgotność otoczenia.

Gdy lampka Symbol „°C” świeci się, dane cyfrowe oznaczają temperaturę otoczenia.

Gdy lampka Symbol „H” jest włączona, oznacza to, że urządzenie ma ustawiony zegar, naciśnij klawisz zegara, aby zobaczyć pozostałe godziny.

Dane o wilgotności „%” będą włączone przez 10 sekund, a następnie dane o temperaturze „°C” będą włączone przez 5 sekund, jest to cykl powtarzalny.



Zasilanie: Podłącz zasilanie, usłyszysz sygnał dźwiękowy, urządzenie przejdzie w tryb gotowości. Po naciśnięciu tego przycisku urządzenie rozpocznie pracę z włączonym wyświetlaczem LED. Naciśnij ten przycisk ponownie, urządzenie przestanie działać i przejdzie w tryb spoczynku.



Jon ujemny: naciśnij ten przycisk, aby uruchomić funkcję jonów ujemnych, naciśnij ponownie, aby zatrzymać funkcję jonów ujemnych.



Tryb nocny: naciśnij ten przycisk, aby uruchomić tryb nocny urządzenia, cały wyświetlacz będzie przyciemniony (ikona trybu uśpienia na wyświetlaczu będzie przyciemniona po 20 sekundach). Naciśnij dowolny klawisz, aby zatrzymać tryb nocny i włączyć wyświetlacz.



Timer: naciśnij ten przycisk, aby uruchomić funkcję ustawiania czasu działania urządzenia (1-10 godzin), urządzenie przestanie działać automatycznie po osiągnięciu ustawionego czasu.



Humidistat: naciśnij ten przycisk, aby ustawić pożądaną wilgotność; Sprzęt przestanie działać, gdy wilgotność osiągnie ustawiony poziom. Możliwa regulacja w zakresie od 40% do 80% wilgotności względnej. Gdy maszyna zacznie działać, będzie nawilżała przez 2 minuty, niezależnie od tego, czy wilgotność w pomieszczeniu osiągnie ustawioną wilgotność czy nie.



Tryb AUTO: naciśnij ten przycisk, urządzenie wejdzie w tryb automatycznego sterowania. Ten tryb utrzymuje wilgotność względną na poziomie 55% ~ 68%. Nawilżacz wybierze najlepszą metodę nawilżania w zależności od wilgotności otoczenia w pomieszczeniu.



Poziom mgły: naciskając ten klawisz, można zmienić objętość pary dla 1/2/3 m². Najmniejsza para na poziomie 1, największa para na poziomie 3.

Sposób korzystania z nawilżacza:

1. Wyjmij zbiornik wody, odkręć pokrywę i napełnij zbiornik wodą, a następnie dobrze przykręć pokrywę. Umieść zbiornik na wodę w urządzeniu.
2. Sprawdź, czy dysza wylotu mgły i pokrywa są dobrze zamontowane na zbiorniku wody.
3. Podłącz zasilanie, a następnie naciśnij przycisk włączenia urządzenia, urządzenie zacznie działać.
4. Aby użyć funkcji aromaterapii, wykonaj poniższe czynności:
 - Wyjmij pudełko
 - Do rozpuszczenia gąbki użyj rozpuszczalnego w wodzie olejku aromatycznego
 - Włóż pojemnik z aromatem z powrotem do urządzenia, funkcja rozprzestrzeniania zapachu włączy się automatycznie po włączeniu urządzenia
 - Aby zatrzymać funkcję aromaterapii lub gdy urządzenie nie będzie używane przez dłuższy czas, wyjmij gąbkę z pudełka i wyczyść ją, a następnie włóż z powrotem do urządzenia.

KONSERWACJA

Ostrzeżenie: przed wymianą filtra wyłącz zasilanie i odłącz urządzenie.

1. Przetwornik

Powierzchnia przetwornika jest łatwa do tworzenia się kamienia. Użytkownicy muszą wyczyścić przetwornik środkiem czyszczącym. Należy dodać niewielką ilość środka czyszczącego na powierzchnię przetwornika (mniej więcej zależy od skali), a następnie wleć wodę do zlewu, aby całkowicie zanurzyć przetwornik przez 10-15 minut. Następnie czyść szczotką do momentu zniknięcia kamienia, oczyścić dwukrotnie wodą. Nie czyścić przetwornika jakimkolwiek metalem lub sztywnym materiałem, ani nie ocierać go o tego rodzaju przedmioty, aby uniknąć uszkodzeń

2. Zbiornik wody

Zbiornik czystej wody należy czyścić w środku dwa razy w tygodniu, w przypadku częstego użytkowania urządzenia. Użyj miękkiej szmatki do wytarcia, gdy po stronie zbiornika wody znajduje się kamień. Na wewnętrznej ściance zbiornika pozostanie trochę brudu, który można wyczyścić miękką szmatką. Nie wkładaj żadnego rodzaju kwasu czy też blendera do zbiornika na wodę, aby uniknąć uszkodzeń.

3. Pojemnik wody w środku

Usuń wodę z pojemnika, oczyść szczotką, a następnie wytrzyj wilgotną ściereczką. Spłucz wodą

4. Filtr powietrza

Zaleca się wymianę filtra powietrza co pół roku do roku, w zależności od rzeczywistych warunków otoczenia. Naciśnij pokrywę filtra powietrza, pokrywa wysunie się, wyjmij filtr powietrza i wymień nowy. Należy odpowiednio owinąć stary filtr, aby uniknąć wtórnego zanieczyszczenia.

Należy pamiętać o następującym:

- Sprawdź dokładnie napięcie, aby upewnić się, że napięcie w domu pasuje do urządzenia
- Upewnij się, że wtyczka dokładnie wkłada się do gniazdka kontaktowego. Upewnij się, że styk jest dobry.
- Wyjmij wtyczkę ręką zamiast ciągnąć za kabel.
- Nie używaj produktu w wilgotnym otoczeniu, takim jak łazienka, grozi to spowodowaniem pożaru bądź porażenia prądem.
- Nie kładź ręki i urządzeń na produkcie, aby uniknąć uszkodzenia.
- Nie czyść urządzenia podczas pracy lub tuż po jej zakończeniu, aby uniknąć zranienia gorącą wodą lub częściami.
- Wyjmij zbiornik wody przed przeniesieniem urządzenia.
- Nie używaj urządzenia wystawionego na promienie słoneczne, bądź ustawionego przy grzejniku.
- Użyj drutu zakupionego w centrum serwisowym sprzedawcy, aby wymienić uszkodzony drut.
- Wyjmij wtyczkę z gniazdka kontaktowego podczas czyszczenia urządzenia.
- Nie dotykaj wtyczki ani kabla mokrymi rękami, aby uniknąć porażenia prądem.
- Nie wkładaj przedmiotów do maszyny.
- Nie czyść urządzenia, gdy woda jest jeszcze gorąca.
- Nie dotykaj ciepłej mgły.
- Trzymaj maszynę poza zasięgiem dzieci.
- Gdy maszyna jest uszkodzona lub nie działa normalnie, skontaktuj się z naszym serwisem.

PRZECHOWYWANIE

1. Ustaw urządzenie w stabilnym, płaskim miejscu. Nawilżacz powinien być ustawiony poziomo.
2. Ustaw urządzenie z dala od źródła ciepła. Nawilżacz powinien znajdować się z dala od źródła ciepła, takiego jak piec lub kominek. Unikać wystawiania nawilżacza także na promienie słoneczne.
3. Ustaw nawilżacz z dala od mebli i urządzeń elektronicznych. Mgła rozpylana z nawilżacza nie powinna być skierowana w stronę mebli i urządzenia elektronicznego bezpośrednio, aby uniknąć uszkodzenia wskutek wilgoci.

POWSZECHNE PROBLEMY

Jeśli urządzenie nie działa prawidłowo, przed przyjsciem do serwisu technicznego sprawdź następujące elementy:

Typowe problemy:

Nienormalne objawy	Przyczyna	Akcja - jak postąpić ?
Kontrolka off, bez filtrowania powietrza, brak pary	1. Wtyczka nie jest prawidłowo podłączona 2. Przełącznik zasilania wyłączony	1. Podłącz wtyczkę prawidłowo 2. Włączyć włącznik zasilania
Kontrolka na filtrowanie powietrza w, brak pary	-Brak wody w zbiorniku -Automatyczny higrostat wyłączony -Kapturek pływakowy poziomu wody nie jest wduszony	-Napełnij zbiornik na wodę -Włącz automatyczny higrostat -Wciśnij pokrywkę pływaka poziomu wody
Opary pachną	-Nowa jednostka -Woda w zbiorniku nie jest czysta	-Otwórz zbiornik na wodę i pozostaw go otwartego przez 12 godzin -Wymień wodę na nową w zbiorniku
Kontrolka dalej, bez filtrowania powietrza, brak pary	Jest zbyt dużo wody w podstawie	-Odląć trochę wodę z podstawy maszyny -Przykręcić pokrywkę zbiornika wody
Niewiele pary wychodzi z maszyny	-Powstał osad na przetworniku -Woda jest brudna, zbyt długo stała lub nawilżacz był zbyt długo nieużywany	-Oczyść przetwornik z osadu/kamienia -wymień wodę w urządzeniu

WADY LUB USZKODZENIA:

W przypadku podejrzenia, że urządzenie posiada wady lub usterki, jeśli nie działa prawidłowo, czy też wydaje nienormalny dźwięk lub wydziela zapach podczas pracy lub gdy przewód zasilający jest uszkodzony - nie używaj go, dopóki nie zostanie sprawdzony przez specjalistę. Nigdy nie demontować go samodzielnie.

Zgodnie z przepisami europejskimi, zużytego sprzętu elektrycznego i elektronicznego (WEEE) nie można wyrzucać wraz z odpadami domowymi. To musi być zrobione do wyspecjalizowanego punktu zbiórki w twojej okolicy.



Made In China – Bo Jungle - Vox Populi BVBA – Brambroek 23B – 9500 Geraardsbergen – BELGIUM

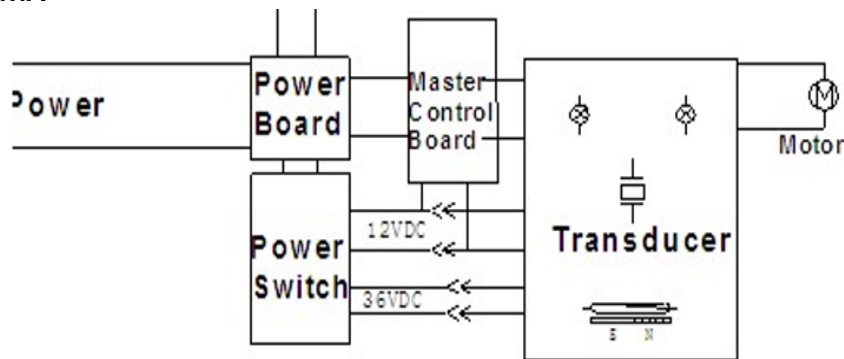
www.bojungle.eu – info@bojungle.eu – Tel: +32 54 240 331 – Fax: +32 9 270 01 80

Σας ευχαριστούμε που επιλέξατε τον ψηφιακό υγραντήρα Bo Jungle & τον καθαριστή αέρα. είμαστε πεπεισμένοι ότι θα είστε απόλυτα ικανοποιημένοι με το προϊόν μας. Αφιερώστε λίγα λεπτά για να διαβάσετε προσεκτικά αυτές τις οδηγίες πριν χρησιμοποιήσετε το προϊόν και φυλάξτε τις για μελλοντική χρήση.

ΤΕΧΝΙΚΕΣ ΠΡΟΔΙΑΓΡΑΦΕΣ

Τάση	220 - 240V / 50-60 Hz
Κατανάλωση ενέργειας	25 W
Εφαρμόσιμη περιοχή	80M3
Περιεχόμενο δεξαμενής νερού	5.0 liter (μπορεί να λειτουργεί συνεχώς για 17-24 ώρες)
Χωρητικότητα ψεκασμού	300 ml/h

ΣΧΗΜΑΤΙΚΟ ΚΥΚΛΩΜΑ



ΣΗΜΑΝΤΙΚΕΣ ΟΔΗΓΙΕΣ ΑΣΦΑΛΕΙΑΣ - ΠΑΡΑΚΑΛΩ ΔΙΑΒΑΣΤΕ ΠΡΟΣΕΚΤΙΚΑ:

- Πριν την χρήση ελεγχτε εάν υπάρχει πολύ νερό στη δεξαμενή, καθώς το νερό μπορεί να ξεχειλίζει και να εισέλθει στη βάση, στη συσκευή.
- Οποιαδήποτε τροποποίηση σε αυτήν τη μονάδα χωρίς άδεια του κατασκευαστή μπορεί να αποδειχθεί επικίνδυνη.
- Ενώ η μονάδα λειτουργεί, αγγίξτε μόνο τον πίνακα ελέγχου. Μην χρησιμοποιείτε τη συσκευή για πρώτη φορά, ελέγξτε αν η τάση παροχής ηλεκτρικής ενέργειας αντιστοιχεί στην τάση που αναφέρεται στο κάτω μέρος της συσκευής.
- Να τοποθετείτε πάντα τη συσκευή μακριά από παιδιά. Βεβαιωθείτε ότι το καλώδιο τροφοδοσίας είναι επίσης μακριά από παιδιά. Μην τους επιτρέπετε να παίζουν με τη συσκευή.
- Να βεβαιώνετε πάντα ότι υπάρχει νερό στη δεξαμενή πριν ενεργοποιήσετε τη συσκευή. Ποτέ μην προσθέτετε νερό απευθείας στη βάση της συσκευής.
- Βεβαιωθείτε ότι η μονάδα είναι τοποθετημένη σε επίπεδη και στεγνή επιφάνεια και ότι δεν υπάρχουν πηγές θερμότητας όπως παράθυρο, καλοριφέρ ή κλίβανος σε άμεση γειτνίαση με τη συσκευή.
- Αποφύγετε τον ψεκασμό ατμών σε έπιπλα ή ηλεκτρικές συσκευές, ώστε να μην προκληθούν ζημιές.
- Μην βυθίζετε ποτέ τη συσκευή σε νερό ή άλλο υγρό. Ποτέ μην το τοποθετείτε απευθείας κάτω από τη βρύση.
- Αποφύγετε την είσοδο νερού στη βάση της συσκευής, καθώς αυτό μπορεί να προκαλέσει ζημιά στα εσωτερικά μέρη και να προκαλέσει κίνδυνο ηλεκτροπληξίας. Για αυτόν τον λόγο, μην μετακινείτε τη συσκευή ενώ αγγίζετε το νερό στη δεξαμενή.
- Πάντα να βεβαιώνετε ότι το καλώδιο τροφοδοσίας έχει αποσυνδεθεί πριν
- Ποτέ μην προσθέτετε άλλα προϊόντα ή ουσίες στον καθαρισμό, τη μετακίνηση, την εκκένωση ή την πλήρωση του νερού.
- Πάντα να χρησιμοποιείτε τη συσκευή σε κανονικές θερμοκρασίες δωματίου, αποφεύγετε τη χρήση της σε κρύο περιβάλλον. Εάν το νερό στη συσκευή έχει παγώσει, μην το χρησιμοποιήσετε έως ότου καθαριστεί ο πάγος.
- Κατά προτίμηση χρησιμοποιήστε βραστό ή απεσταγμένο νερό στον υγραντήρα. Μην γεμίζετε τη δεξαμενή με νερό άνω των 40 ° C για να αποφύγετε τον αποχρωματισμό ή την παραμόρφωση.
- Αποσυνδέστε τη μονάδα όταν δεν πρόκειται να χρησιμοποιηθεί για μεγαλύτερο χρονικό διάστημα.
- Μην ενεργοποιείτε ή απενεργοποιείτε το μηχάνημα με βρεγμένο χέρι, διαφορετικά ενδέχεται να υπάρχει κίνδυνος ηλεκτροπληξίας.



ΣΗΜΑΝΤΙΚΟ

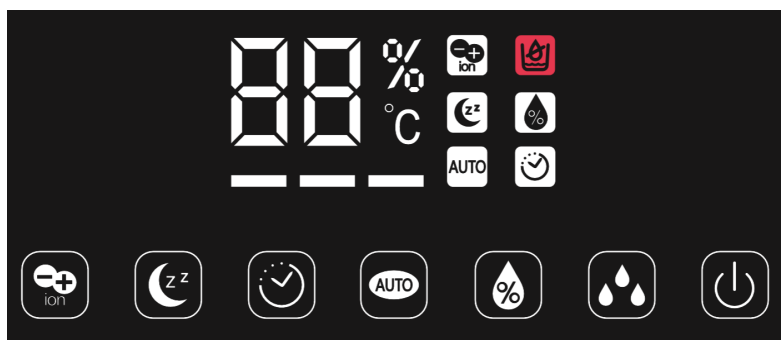
Παιδιά ή άτομα με σωματικές, αισθητηριακές ή ψυχικές διαταραχές δεν πρέπει να επιτρέπεται να χρησιμοποιούν αυτήν τη συσκευή, εκτός εάν εποπτεύονται από έναν ενήλικα που είναι υπεύθυνος για την ασφάλειά τους.

ΟΔΗΓΙΕΣ ΛΕΙΤΟΥΡΓΙΑΣ

Προειδοποίηση: πριν γεμίσετε το δοχείο της συσκευής με νερό, απενεργοποιήστε το και αποσυνδέστε το.

1. Το περιβάλλον εργασίας του υγραντήρα είναι όταν η θερμοκρασία κυμαίνεται μεταξύ 5 και 40 βαθμών Κελσίου και η σχετική υγρασία είναι
2. χαμηλότερο από 80% RH.
3. Χρησιμοποιήστε καθαρό νερό κάτω των 40 βαθμών Κελσίου (συνιστάται καθαρό νερό)
4. Καθαρίστε τη δεξαμενή νερού και τον αγωγό νερού όταν τα ξαναχρησιμοποιήσετε μετά από πολύ καιρό.
5. Εάν το μηχάνημα χρησιμοποιείται με φίλτρο νερού, συνιστάται να μουλιάσετε το φίλτρο για 24 ώρες πριν από την 1η χρήση.

ΟΔΗΓΙΕΣ ΚΟΥΜΠΩΝ



Όταν η λυχνία του συμβόλου "%" είναι αναμμένη, τα ψηφιακά δεδομένα σημαίνουν περιβαλλοντική υγρασία.

Όταν η λυχνία του συμβόλου "°C" είναι αναμμένη, τα ψηφιακά δεδομένα σημαίνουν περιβαλλοντική θερμοκρασία.

Όταν η λυχνία του συμβόλου "H" είναι αναμμένη, σημαίνει ότι η συσκευή έχει ρυθμίσει το χρονόμετρο, πατήστε το πλήκτρο χρονοδιακόπτη για να δείτε τις υπόλοιπες ώρες.

Τα δεδομένα υγρασίας "%" θα είναι ενεργοποιημένα για 10 δευτερόλεπτα, και στη συνέχεια τα δεδομένα θερμοκρασίας "°C" θα είναι ενεργοποιημένα για 5 δευτερόλεπτα, και έτσι επαναλαμβάνονται.



Εκκίνησης: Συνδέστε την τροφοδοσία, υπάρχει ένας ήχος μπιπ και το μηχάνημα έρχεται σε κατάσταση αναμονής. Μόλις πατήσετε αυτό το κουμπί, το μηχάνημα αρχίζει να λειτουργεί με αναμμένη οθόνη LED. Πατήστε ξανά αυτό το κουμπί, το μηχάνημα σταματά να λειτουργεί και έρχεται σε κατάσταση αναμονής.



Αρνητικό ιόν : Πατήστε αυτό το κουμπί για να ξεκινήσετε τη λειτουργία αρνητικών ιόντων, πατήστε ξανά για να σταματήσετε τη λειτουργία αρνητικών ιόντων



Νυχτερινή Λειτουργία : Πατήστε αυτό το κουμπί τη λειτουργία νυχτερινής εκκίνησης του μηχανήματος, όλη η οθόνη θα είναι σκοτεινή (το εικονίδιο λειτουργίας ύπνου στην οθόνη θα είναι σκοτεινό σε 20 δευτερόλεπτα). Πατήστε οποιοδήποτε πλήκτρο για να διακόψετε τη νυχτερινή λειτουργία και να εμφανιστεί η οθόνη



Χρονοδιακόπτης : Πατήστε αυτό το πλήκτρο για να ξεκινήσετε τη λειτουργία ρύθμισης χρονοδιακόπτη με ρύθμιση του κύκλου χρόνου 1-10 ωρών, το μηχάνημα θα σταματήσει να λειτουργεί αυτόματα όταν φτάσει ο χρονοδιακόπτης



Υγρασία : Πατήστε αυτό το πλήκτρο για να ρυθμίσετε την επιθυμητή υγρασία. Το μηχάνημα θα σταματήσει να λειτουργεί μόλις φτάσει η υγρασία ρυθμίζοντας την υγρασία. Η υγρασία μπορεί να ρυθμιστεί από 40% ~ 80% RH. Όταν το μηχάνημα αρχίσει να λειτουργεί, θα συνεχίσει να υγραίνεται για 2 λεπτά, ανεξάρτητα από την υγρασία του δωματίου που φτάνει στη ρύθμιση της υγρασίας ή όχι.



AUTO Λειτουργία : Πατήστε αυτό το κουμπί, το μηχάνημα εισέρχεται σε λειτουργία αυτόματου ελέγχου. Αυτό το μοντέλο διατηρεί τη σχετική υγρασία στο 55% ~ 68%. Το μηχάνημα θα επιλέξει την καλύτερη μέθοδο υγρασίας σύμφωνα με διαφορετική υγρασία περιβάλλοντος δωματίου



Επίπεδο Νεφελώματος : Ο όγκος ατμού μπορεί να αλλάξει ποσό 1 κτήμα, 2 κτήματα και 3 κτήματα πατώντας αυτό το πλήκτρο. Ο μικρότερος ατμός για 1 κτήμα, ο μεγαλύτερος ατμός για 3 κτήματα

ΔΙΑΔΙΚΑΣΙΑ ΛΕΙΤΟΥΡΓΙΑΣ

1. Βγάλτε τη δεξαμενή νερού από το μηχάνημα, ξεβιδώστε το καπάκι και γεμίστε τη δεξαμενή με νερό και μετά βιδώστε καλά το καπάκι. Τοποθετήστε το δοχείο νερού στο μηχάνημα σταθερά.
- 2.) Ελέγξτε εάν το ακροφύσιο εξόδου νεφελώματος και το κάλυμμα της λαβής συναρμολογούνται καλά στη δεξαμενή νερού.
3. Συνδέστε το τροφοδοτικό και, στη συνέχεια, πατήστε το διακόπτη on / off, το μηχάνημα αρχίζει να λειτουργεί.
4. Ακολουθήστε τα παρακάτω βήματα για να χρησιμοποιήσετε τη λειτουργία αρώματος:
 - Βγάλτε το κουτί αρώματος
 - Χρησιμοποιήστε υδατοδιαλυτό λάδι αρώματος για να πέσετε στο σφουγγάρι
 - Τοποθετήστε ξανά το κουτί αρώματος στο μηχάνημα, η λειτουργία αρώματος θα ενεργοποιηθεί αυτόματα κατά την ενεργοποίηση του μηχανήματος
 - Για να σταματήσετε τη λειτουργία αρώματος ή όταν το μηχάνημα δεν χρησιμοποιείται για μεγάλο χρονικό διάστημα, βγάλτε το σφουγγάρι στο κουτί αρώματος και καθαρίστε το, βάλτε το πίσω στο μηχάνημα.

Προειδοποίηση: πριν αντικαταστήσετε το φίλτρο, απενεργοποιήστε και αποσυνδέστε τη συσκευή.

ΣΥΝΤΗΡΗΣΗ

Πάντα να βεβαιώνετε ότι η συσκευή είναι αποσυνδεδεμένη πριν την καθαρίσετε.

1. Πλάκα Αντίστασης

- Η ποιότητα του νερού σε κάποιες περιοχές είναι πολύ σκληρή, ώστε στην επιφάνεια της πλάκας της αντίστασης να είναι εύκολο να σχηματιστούν άλατα. Οι χρήστες πρέπει να την καθαρίσουν με καθαριστικό.
- Προσθέστε λίγο καθαριστικό στην επιφάνεια της αντίστασης (περισσότερο ή λιγότερο εξαρτάται από την ποσότητα των αλάτων) και έπειτα εγχύστε νερό στην δεξαμενή νερού για να μουλιάσετε πλήρως το νεροχύτη για 10-15 λεπτά.
- Καθαρίστε με πινέλο μέχρι να εξαφανιστούν τα άλατα.
- Ξεπλύνετε δύο φορές με νερό
- Μην καθαρίζετε την επιφάνεια της αντίστασης με μέταλλο ή κάποιο άλλο σκληρό υλικό για να αποφύγετε τυχόν ζημιές

2. Δεξαμενή νερού

Καθαρίστε τη δεξαμενή νερού μέσα δύο φορές την εβδομάδα τουλάχιστον όταν χρησιμοποιείτε συχνά το μηχάνημα. Χρησιμοποιήστε μαλακό πανί σκουπίστε το όταν η πλευρά του δοχείου νερού έχει άλατα το οποίο μπορεί να καθαριστεί με μαλακό τρίψιμο, καθαρίστε εντελώς

Μην βάζετε οξύ, αλκαλικότητα, καθαρισμό λεκέδων στη δεξαμενή νερού για να αποφύγετε ζημιές

3. Δεξαμενή νερού μέσα

Βγάλτε το νερό στο νεροχύτη, καθαρίστε με βούρτσα και μετά σκουπίστε με υγρό πανί

Ξεπλύνετε με νερό

4. Φίλτρο αέρα

Συνιστάται η αντικατάσταση του φίλτρου αέρα κάθε εξάμηνο σε ένα έτος εξαρτάται από τις πραγματικές περιβαλλοντικές συνθήκες. Πατήστε το κάλυμμα του φίλτρου αέρα, το κάλυμμα θα βγει έξω, βγάλτε το φίλτρο αέρα και αντικαταστήστε το νέο. Τυλίξτε σωστά το παλιό φίλτρο για να αποφύγετε τη δευτερογενή ρύπανση.

Παρακαλώ θυμηθείτε:

- Ελέγξτε προσεκτικά την τάση για να βεβαιωθείτε ότι η τάση ρεύματος στο σπίτι σας ταιριάζει με το προϊόν
- Βεβαιωθείτε ότι το βύσμα εισάγει ακριβώς στη πρίζα και μόνο για το βύσμα χωρίς άλλα, Βεβαιωθείτε ότι έχετε καλή επαφή.
- Βγάλτε το φιν με το χέρι αντί να τραβήξετε το καλώδιο.
- Μην χρησιμοποιείτε το προϊόν σε υγρό περιβάλλον, όπως λουτρό και μπάνιο, θα προκαλέσει ηλεκτροπληξία και πυρκαγιά.
- Μην βάζετε το χέρι και τις συσκευές σας στο προϊόν για να αποφύγετε τυχόν ζημιά ή ζημιά.
- Μην καθαρίζετε το μηχάνημά σας κατά τη διάρκεια της λειτουργίας ή αμέσως μετά το χρόνο λειτουργίας για να αποφύγετε το ζεστό νερό ή τα εξαρτήματα που θα σας τραυματίσουν.

- Αφαιρέστε τη δεξαμενή νερού πριν μετακινήσετε τη συσκευή.
- Μη χρησιμοποιείτε το μηχάνημα εκτεθειμένο στον ήλιο ή κοντά σε θερμαντήρα
- Χρησιμοποιήστε το καλώδιο που αγοράσατε από το κέντρο σέρβις πωλητή για να αντικαταστήσετε το κατεστραμμένο καλώδιο.
- Βγάλτε το βύσμα όταν καθαρίζετε και πλένετε το μηχάνημα, ή αφήστε το ακρρησιμοποιήτο για μεγάλο χρονικό διάστημα
- Μην αγγίζετε το βύσμα ή το καλώδιο με τα βρεγμένα χέρια για να αποφύγετε την ηλεκτροπληξία
- Μην βάζετε σε εξωτερικό χώρο το μηχάνημα
- Μην καθαρίζετε τη δεξαμενή νερού όταν το νερό είναι ακόμα ζεστό.
- Μην αγγίζετε το ζεστο νεφέλωμα.
- Κρατήστε το μηχάνημα μακριά από παιδιά.
- Όταν το μηχάνημα είναι κατεστραμμένο ή δεν μπορεί να λειτουργήσει κανονικά, παραδώστε το στην υπηρεσία μας

ΑΠΟΘΗΚΕΥΣΗ

1. Τοποθετήστε το σε σταθερό, επίπεδο μέρος

Ο υγραντήρας πρέπει να τοποθετείται σε οριζόντια θέση και να διατηρείται σταθερός.

2. Τοποθετήστε το μακριά από την πηγή θερμότητας

Ο υγραντήρας πρέπει να απέχει πολύ από την πηγή θερμότητας, όπως οι σόμπες ή το τζάκι. Αποφεύγοντας να καίγεται άμεσα από τον ήλιο.

3. Τοποθετήστε το μακριά από τα έπιπλα και την ηλεκτρονική συσκευή.

Ο ψεκασμός από τον υγραντήρα δεν πρέπει να είναι στραμμένος προς τα έπιπλα και κάποια ηλεκτρονική συσκευή, για να αποφευχθεί ζημιά με υγρασία.

ΚΟΙΝΗ ΘΕΜΑΤΑ

Εάν η συσκευή δεν λειτουργεί σωστά, ελέγξτε τα παρακάτω πριν μεταβείτε στην υπηρεσία συντήρησης.

Πρόβλημα	Πιθανή Αιτία	Αντιμετώπιση
Δεν παράγει ατμό	Ελεγξτε την πρίζα	Συνδέστε την στην πρίζα
	Ελέγξτε το διακόπτη λειτουργίας	Ενεργοποιήστε το διακόπτη λειτουργίας
	Χωρίς νερό στη δεξαμενή	Πρόσθεσε νερό
	λιγότερο νερό στη δεξαμενή	Προσθέστε νερό μέχρι να φτάσει αρκετό
Ατμός με οσμή	Νέα μηχανή	Αφαιρέστε το κάλυμμα της δεξαμενής, τοποθετήστε τη δεξαμενή νερού σε δροσερό και ξηρό μέρος για 12 ώρες
	Πολύ βρώμικο νερό, ή νερό στη δεξαμενή πολύ καιρό	Δεξαμενή καθαρού νερού, Αντικαταστήστε καθαρό νερό
Θόρυβος	Δεξαμενή σε λανθασμένη θέση	Τοποθετήστε τη δεξαμενή στη σωστή θέση
	Λιγότερο νερό στη δεξαμενή	Πρόσθεσε νερό
	Ανώμαλο επίπεδο για μηχανή	Τοποθετήστε το σε ομοιόμορφο επίπεδο ή έδαφος
Έξοδος ατμού	Εκκαθάριση μεταξύ εξόδου ατμού και δεξαμενής νερού	Βυθίστε το πώμα εξόδου ατμού σε νερό και χρησιμοποιήστε το ξανά

ΕΛΛΕΙΨΗ Ή ΖΗΜΙΑ

- Σε περίπτωση που υποψιάζεστε ότι η συσκευή σας παρουσιάζει ελάττωμα ή δυσλειτουργία, εάν δεν λειτουργεί σωστά, ή εάν παράγει αφύσικο ήχο ή εκπέμπει οσμή κατά τη λειτουργία ή όταν η ίδια η συσκευή ή το καλώδιο τροφοδοσίας έχουν υποστεί ζημιά, καλέστε το εξυπηρετήση μετά την πώληση. Μην το χρησιμοποιείτε μέχρι να ελεγχθεί από επαγγελματία. Ποτέ μην το διαλύσετε μόνοι σας.

- Σύμφωνα με τους ευρωπαϊκούς κανονισμούς, τα απόβλητα ηλεκτρονικού και ηλεκτρικού εξοπλισμού (ΑΗΗΕ) δεν μπορούν να απορριφθούν ως κανονικά οικιακά απορρίμματα. Πρέπει να μεταφερθείτε σε ένα εξειδικευμένο σημείο συλλογής στη γειτονιά σας.



Made In China – Bo Jungle - Vox Populi BVBA – Asterdreef 13 -9040 GENT – BELGIUM
www.bojungle.eu – info@bojungle.eu – Tel: +32 54 240 331 – Fax: +32 9 270 01 80